

# STR-DE475

## SERVICE MANUAL

Ver 1.0 2001.02

US Model  
Canadian Model  
AEP Model  
UK Model  
Australian Model  
Chinese Model  
E Model



Manufactured under license from Dolby Laboratories Licensing Corporation.

“DOLBY” the double-D symbol  $\square\square$  “AC-3” and “Pro Logic” are trademarks of Dolby Laboratories Licensing Corporation.

### SPECIFICATIONS

#### AUDIO POWER SPECIFICATIONS

#### POWER OUTPUT AND TOTAL HARMONIC DISTORTION:

With 8 ohm loads, both channels driven, from 40 - 20,000 Hz; rated 80 watts per channel minimum RMS power, with no more than 0.09% total harmonic distortion from 250 milliwatts to rated output (USA model only).

#### Amplifier section

##### POWER OUTPUT

US, Canadian :

Rated Power Output at Stereo mode  
(8 ohms 40 Hz - 20 kHz, THD 0.09%)  
80 W + 80 W

US, Canadian, AEP, UK :

Reference Power Output  
(8 ohms 1 kHz, THD 0.7%)  
Front<sup>1)</sup>: 80 W/ch  
Center<sup>1)</sup>: 80 W  
Surround<sup>1)</sup>: 80 W/ch

EXCEPT :

Rated Power Output at Stereo mode  
(8 ohms 1kHz, THD 0.7%)  
80 W + 80 W<sup>2)</sup>

EXCEPT :

Reference Power Output<sup>2)</sup>  
(8 ohms 1 kHz, THD 10%)  
Front<sup>1)</sup>:  
90 W/ch

Center<sup>1)</sup>: 90 W  
Surround<sup>1)</sup>:  
90 W/ch

1) Depending on the sound field settings and the sources, there may be no sound output.

2) Measured under the following conditions:

Area code	Power requirement
E, Australian	240 V AC, 50 Hz
Chinese	230 V AC, 50 Hz
Taiwan	110 V AC, 50 Hz

#### Frequency response

MULTI CH IN, CD,  
MD/TAPE, DVD/LD,  
TV/SAT, VIDEO:  
20 Hz - 20 kHz  
0/- 0.5 dB (sound field,  
and tone bypassed)

#### Inputs (Analog)

MULTI CH IN, CD,  
MD/TAPE, DVD/LD,  
TV/SAT, VIDEO:  
Sensitivity: 250 mV  
Impedance:  
50 kilohms  
S/N<sup>3)</sup>: 85 dB  
(A, 250 mV<sup>4)</sup>)

3) INPUT SHORT

4) Weighted network, input level

#### Inputs (Digital)

DVD/LD (coaxial):  
Sensitivity: -  
Impedance: 75 ohms  
S/N: 100 dB  
(A, 20 kHz LPF)  
TV/SAT (Optical):  
Sensitivity: -

Impedance: -  
S/N: 100 dB  
(A, 20 kHz LPF)

#### Outputs

MD/TAPE (OUT):  
VIDEO (AUDIO OUT):  
Voltages: 250 mV,  
Impedance:  
10 kilohms  
SUB WOOFER:  
Voltage: 2 V  
Impedance :  
1 kilohms  
PHONES:  
Accepts low- and  
high-impedance  
headphones

#### TONE

$\pm 6$  dB at 100 Hz  
and 10 kHz

#### Sampling frequency

48 kHz (OPTICAL IN)  
96 kHz (COAXIAL IN)

#### FM tuner section

Tuning range 87.5 - 108.0 MHz

#### Antenna terminals

75 ohms, unbalanced

#### Intermediate

frequency 10.7 MHz

#### Sensitivity

Mono: 18.3 dBf,  
2.2  $\mu$ V/75 ohms  
Stereo: 38.3 dBf,  
22.5  $\mu$ V/75 ohms

#### Usable sensitivity

11.2 dBf, 1  $\mu$ V/75 ohms

#### S/N

Mono: 76 dB  
Stereo: 70 dB

#### Harmonic distortion at 1 kHz

Mono: 0.3%  
Stereo: 0.5%

#### Separation

45 dB at 1 kHz

#### Frequency response

30 Hz - 15 kHz  
+0.5/-2 dB

#### Selectivity

60 dB at 400 kHz

— Continued on next page —

## FM STEREO FM-AM RECEIVER

9-929-587-11  
2001B1600-1  
© 2001.2

Sony Corporation  
Audio Entertainment Group  
General Engineering Dept.

# SONY®

# STR-DE475

## AM tuner section

### Tuning range

US, Canadian :

With 10-kHz tuning scale:

530 - 1710 kHz<sup>5)</sup>

With 9-kHz tuning scale:

531 - 1710 kHz<sup>5)</sup>

Australian, Chinese, AEP, UK :

With 9 kHz tuning scale:

531 - 1602 kHz

E, Taiwan :

With 10-kHz tuning scale:

530-1610 kHz<sup>5)</sup>

With 9-kHz tuning scale:

531-1602 kHz<sup>5)</sup>

**Antenna** Loop antenna

**Intermediate frequency** 450 kHz

### Usable sensitivity

50 dB/m (at 1,000 kHz or 999 kHz)

**S/N** 54 dB (at 50mV/m)

### Harmonic distortion

0.5% (50mV/m, 400 kHz)

**Selectivity:** At 9 kHz: 35 dB  
At 10 kHz: 40 dB

5) You can change the AM tuning scale to 9 kHz or 10 kHz. After tuning in any AM station, turn off the receiver. Hold down the TUNING + button and press the button. All preset stations will be erased when you change the tuning scale. To reset the scale to 10 kHz (or 9 kHz), repeat the procedure.

## Video section

**Inputs** Video: 1 V<sub>p-p</sub> 75 ohms

**Outputs** Video: 1 V<sub>p-p</sub> 75 ohms

## General

**System** Tuner section:  
PLL quartz-locked digital synthesizer system  
Preamplifier section:  
Low-noise NF type equalizer  
Power amplifier section:  
Pure-complementary SEPP

### Power requirements

US, Canadian :

120 V AC, 60 Hz

Chinese :

CN

220 -230 V AC,

50/60 Hz

Australian :

240 V AC, 50 Hz

E : 120/220/240 V AC,

50/60 Hz

Taiwan :

110 V AC, 50/60 Hz

AEP, UK :

230 V AC, 50/60 Hz

## Power consumption

US :

185 W

In Standby

Condition:

1 W

Canadian :

280 VA

In Standby

Condition:

1 W

E, Chinese, Taiwan, AEP, UK :

175 W

In Standby

Condition:

1 W

Australian :

165 W

In Standby

Condition: 1 W

**Dimensions** 430 × 145 × 298 mm  
(17 × 7<sup>7</sup>/<sub>8</sub> × 19<sup>5</sup>/<sub>8</sub> in.)  
including projecting parts and controls

### Mass (Approx.)

7.2 kg (15 lb 14 oz)

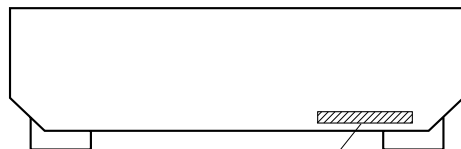
### Supplied accessories

- FM wire antenna (1)
- AM loop antenna (1)
- R6 (size-AA) batteries (2)
- Remote Commander (remote) (1)

Design and specifications are subject to change without notice.

## MODEL IDENTIFICATION

— BACK PANEL —



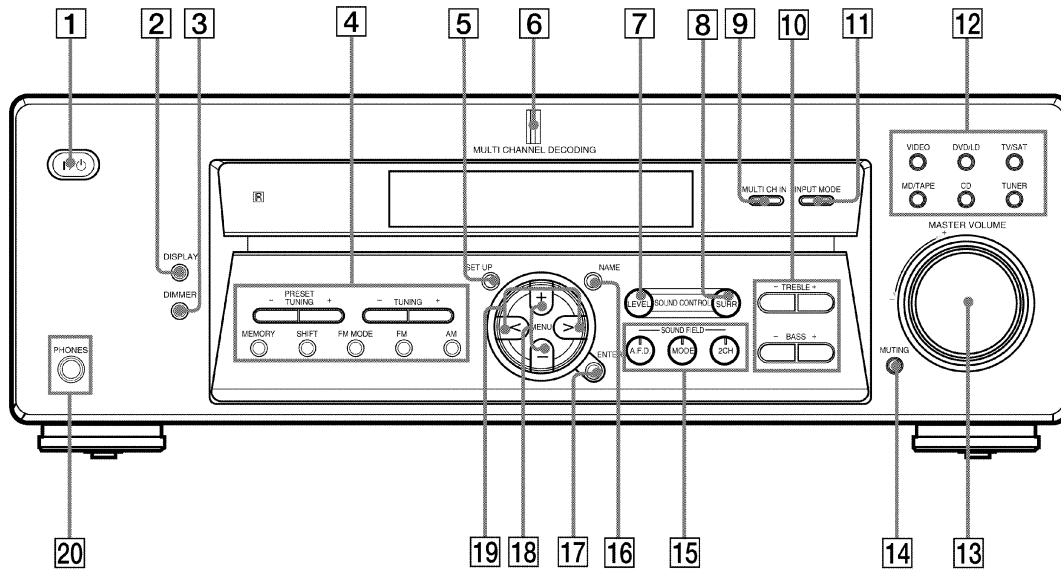
Parts No.

MODEL	PARTS No.
US	4-233-753-0□
Canadian	4-233-753-1□
Australian	4-233-753-2□
Chinese	4-233-753-4□
E, Taiwan	4-233-753-5□
AEP	4-233-753-6□
UK	4-233-753-7□
Mexican	4-233-753-8□
Argentina	4-233-753-9□



SECTION 1  
GENERAL

This section is extracted from instruction manual.

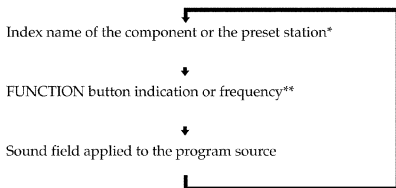


**1 I/O switch**

Press to turn the receiver on and off.

**2 DISPLAY button**

Press repeatedly to change the information on the display window as follows:



\* Index name appears only when you have assigned one to the component or preset station (see page 39). Index name does not appear when only blank spaces have been entered, or it is the same as the function button.  
\*\* Frequency appears only when the tuner is selected.

**3 DIMMER button**

Press repeatedly to adjust the brightness of the display. When you want to turn off the display, set in the "DIM.RANGE" parameter in the SET UP menu (page 47).

**4** The following buttons operate the built-in tuner. For details, see "Receiving Broadcasts" starting from page 34.

**PRESET TUNING +/- buttons**

Scan all preset stations.

**TUNING +/- buttons**

Scan all the available radio stations.

**MEMORY button**

Press to memorize a preset station.

**SHIFT button**

Selects a memory page for preset stations.

**FM MODE button**

If "STEREO" flashes in the display and the FM stereo reception is poor, press this button. You will not have the stereo effect but the sound is improved.

**FM button**

Selects the FM band.

**AM button**

Selects the AM band.

**5 SET UP button/indicator**

Press to activate the setup mode, then use the MENU </> buttons (19) to select any of the following indications. You can then make various settings using the MENU +/- buttons (18).

When you select	You can
Speaker type	Specify the type of speakers. (page 15)
Speaker setup	Specify the front, center, surround speaker sizes, the surround speaker position, and whether or not you are using a sub woofer. (page 15)
Speaker Distance	Specify the front, center, and surround speaker distances. (page 17)
Dimmer range	Specify the display to turn off when you press the DIMMER button several times. (page 47)
MULTI CH IN video input	Specify the video input to be used with the audio signals from the MULTI CH IN jacks. (page 47)

**6 MULTI CHANNEL DECODING indicator**

This indicator lights up when the unit is decoding signals recorded in a Multi Channel format.

**7 LEVEL button / indicator**

Press to activate the speaker level parameters (page 31). The indicator on the button lights up and you can adjust the various speaker level parameters (front balance, surround balance, etc.).

**8 SURR button / indicator**

Press to activate the surround parameters (page 30). The indicator on the button lights up and you can adjust the various surround parameters (effect level, wall type, etc.).

**9 MULTI CH IN button**

Press to enjoy the audio source connected to the MULTI CH IN jacks with the video from the selected component. Press again to cancel MULTI CH IN.

- When the MULTI CH IN is selected, the tone, sound field and surround parameters do not function.

**10 Tone buttons**

**TREBLE +/- button**

Press this button to adjust the tone (treble) (page 32).

**BASS +/- button**

Press this button to adjust the tone (bass) (page 32).

**11 INPUT MODE button**

Press to select the input mode for your digital components (DVD/LD and TV/SAT).

Each press switches the input mode of the currently selected component.

Select	To
AUTO	Give priority to digital signals when there are both digital and analog connections. If there are no digital signals, analog is selected
DIGITAL (OPTICAL)	Specify the digital audio signals input to the DIGITAL OPTICAL input jacks (TV/SAT only)
DIGITAL (COAXIAL)	Specify the digital audio signals input to the DIGITAL COAXIAL input jacks (DVD/LD only)
ANALOG	Specify the analog audio signals input to the AUDIO IN (L and R) jack

**Note**

If 96 kHz digital signal is input, the tone, sound field and surround parameters do not function.

**12 Function buttons**

Press one of the buttons to select the component you want to use.

To select	Press
VCR	VIDEO
DVD or LD player	DVD/LD
TV or satellite tuner	TV/SAT
MD or Tape deck	MD/TAPE
CD player	CD
Built in tuner	TUNER

After selecting the component, turn on the component you selected and play the program source.

- After selecting VCR, DVD player, or LD player, turn on the TV and set the TV's video input to match the component you selected.

**13 MASTER VOLUME control**

After turning on the component you selected, rotate to adjust the volume.

**14 MUTING button**

Press to mute the sound. MUTING appears on the display when the sound is muted.

**15 SOUND FIELD**

Use the SOUND FIELD buttons to enjoy surround sound. For details, see "Enjoying Surround Sound" starting from page 24.

**A.F.D button / indicator**

Press to set the receiver to automatically detect the type of audio signal being input and perform proper decoding (if necessary).

**MODE button / indicator**

Press to activate the sound field selection mode (page 25).

**2CH button / indicator**

Press to output sound from only the front (left and right) speakers.

**16 NAME button / indicator**

Press to activate the name function and enter names for preset stations and program sources (page 39).

**17 ENTER button**

Press to enter individual characters for the preset stations and program source names.

**18 MENU +/- buttons**

Turn to adjust the selected speaker level and surround parameters (etc.).

**19 MENU </> buttons**

Press to select various speaker level and surround parameters (etc.).

**20 PHONES jack**

Connects headphones.

- When you connect the headphones, no sound will come from the speakers.

## SECTION 2 TEST MODE

### SOFTWARE VERSION DISPLAY MODE

\* The software version is displayed.

\* Procedure:

While depressing the **TUNER** and the **VIDEO** buttons simultaneously, press the power **I/O** button to turn on the main power. The model name, destination and the software version are displayed.

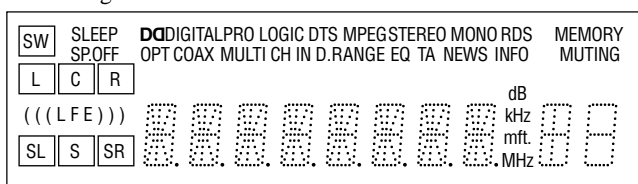
### FLUORESCENT INDICATOR TUBE TEST MODE

\* All fluorescent segments are tested. When this test is activated, all segments turn on at the same time, then each segment turns on one after another.

\* Procedure:

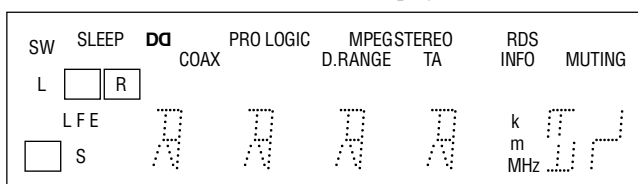
While depressing the **TV/SAT** and the **DVD/LD** buttons simultaneously, press the power **I/O** button to turn on the main power.

1. All segments turn on.



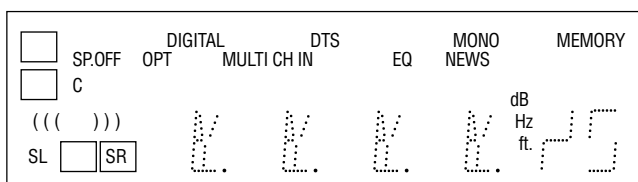
**NAME**, **SURR** and SOUND FIELD **MODE** LED turn on.

2. Press the **VIDEO** button, confirm display



Digital Cinema Sound, **SET UP** and **2CH** LED turn on.

3. Press the **VIDEO** button, confirm display



MULTI CHANNEL DECODING(blue), **LEVEL** and **A.F.D** LED turn on.

4. Press the **VIDEO** button, All segments turn off.

5. Every pressing of the **VIDEO** button turns on each segment and LED one after another in the same order.

(Not only the **VIDEO** button, but also the other buttons such as **DVD/LD**, **TV/SAT**, **MD/TAPE**, **CD**, **TUNER** can be used.)

### FACTORY SET MODE

\* All preset contents are reset to the default setting.

\* Procedure:

While depressing the **VIDEO** and the **CD** buttons simultaneously, press the power **I/O** button to turn on the main power. The message **FACTORY** appears and switch off the set.

While depressing the **VIDEO** and the **CD** buttons simultaneously, press the power **I/O** button again. The message **FACTORY** appears and the present contents are reset to the default values.

### SOUND FIELD CLEAR MODE

\* The preset sound field is cleared when this mode is activated. Use this mode before returning the product to clients upon completion of repair.

\* Procedure:

While depressing the SOUND FIELD **MODE** button, press the power **I/O** button to turn on the main power. The message **S. F. CLR** appears and initialization is performed.

### AM CHANNEL STEP 9 kHz/10 kHz SELECTION MODE

\* Either the 9 kHz step or 10 kHz step can be selected for the AM channel step.

\* Procedure:

Set the **FUNCTION** to AM. Turn off the main power.

While depressing the **TUNING+** button or the **PRESET TUNING+** button, press the power **I/O** button to turn on the main power. Either the message **9 k STEP** or **10 k STEP** appears. Select the desired step.

\* For US/Canadian/E model only

### KEY CHECK MODE

\* Button check

\* Procedure:

While depressing the **SURR** and the **A.F.D** buttons simultaneously, press the power **I/O** button to turn on the main power. "REST 36" appears.


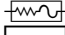
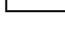
Every pressing of any button other than **I/O** counts down the buttons. The buttons which are already counted once are not counted again. When all buttons are pressed "REST 00" appears. When **MASTER VOLUME** is rotated in clockwise direction, "VOL MIN", "VOL 1" to "VOL 30", "VOL MAX" appear.

## SECTION 3 DIAGRAMS

**THIS NOTE IS COMMON FOR PRINTED WIRING BOARDS AND SCHEMATIC DIAGRAMS.  
(In addition to this necessary note is printed in each block.)**

**For schematic diagrams.**

**Note:**

- All capacitors are in  $\mu\text{F}$  unless otherwise noted. pF:  $\mu\mu\text{F}$   
50 WV or less are not indicated except for electrolytics and tantalums.
- All resistors are in  $\Omega$  and  $1/4\text{W}$  or less unless otherwise specified.
- % : indicates tolerance.
- $\Delta$  : internal component.
-  : nonflammable resistor.
-  : fusible resistor.
-  : panel designation.





**Note:**

The components identified by mark  $\Delta$  or dotted line with mark  $\Delta$  are critical for safety. Replace only with part number specified.

**Note:**

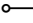

Les composants identifiés par une marque  $\Delta$  sont critiques pour la sécurité. Ne les remplacer que par une pièce portant le numéro spécifié.

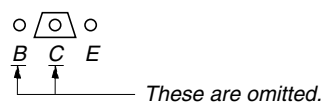
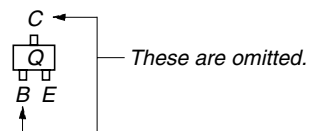
以阴影和  $\Delta$  标志来识别的零部件，在安全方面具有关键性，因此只能以规定号码的零部件来更换。

-  : B+ Line.
-  : B- Line.
-  : adjustment for repair.
- Voltages and waveforms are dc with respect to ground under no-signal (detuned) conditions.  
No mark : FM
- Voltages are taken with a VOM (Input impedance 10 M $\Omega$ ). Voltage variations may be noted due to normal production tolerances.
- Waveforms are taken with a oscilloscope.
- Circled numbers refer to waveforms.
- Signal path.  
 : FM  
f : CD
- Abbreviation  
CND : Canadian model.  
AUS : Australian model.  
AR : Argentine model.  
CH : Chinese model.  
MX : Mexican model.

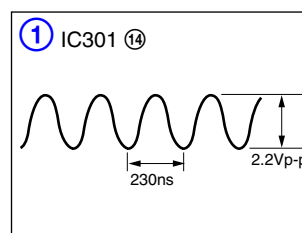
**For printed wiring boards.**

**Note:**

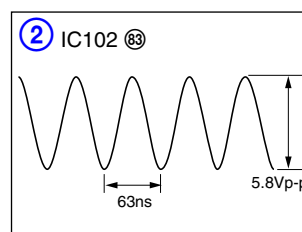
-  : parts extracted from the component side.
- $\circ$  : Through hole.
- $\Delta$  : internal component.
-  : Pattern from the side which enables seeing.



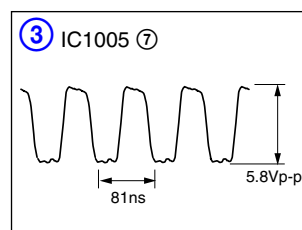
### • Waveform – MAIN BOARD –



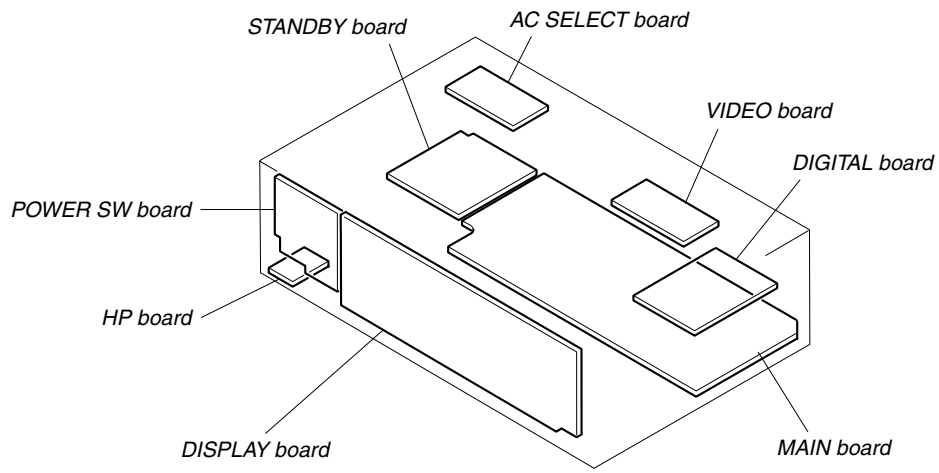
### – DISPLAY BOARD –



### – DIGITAL BOARD –

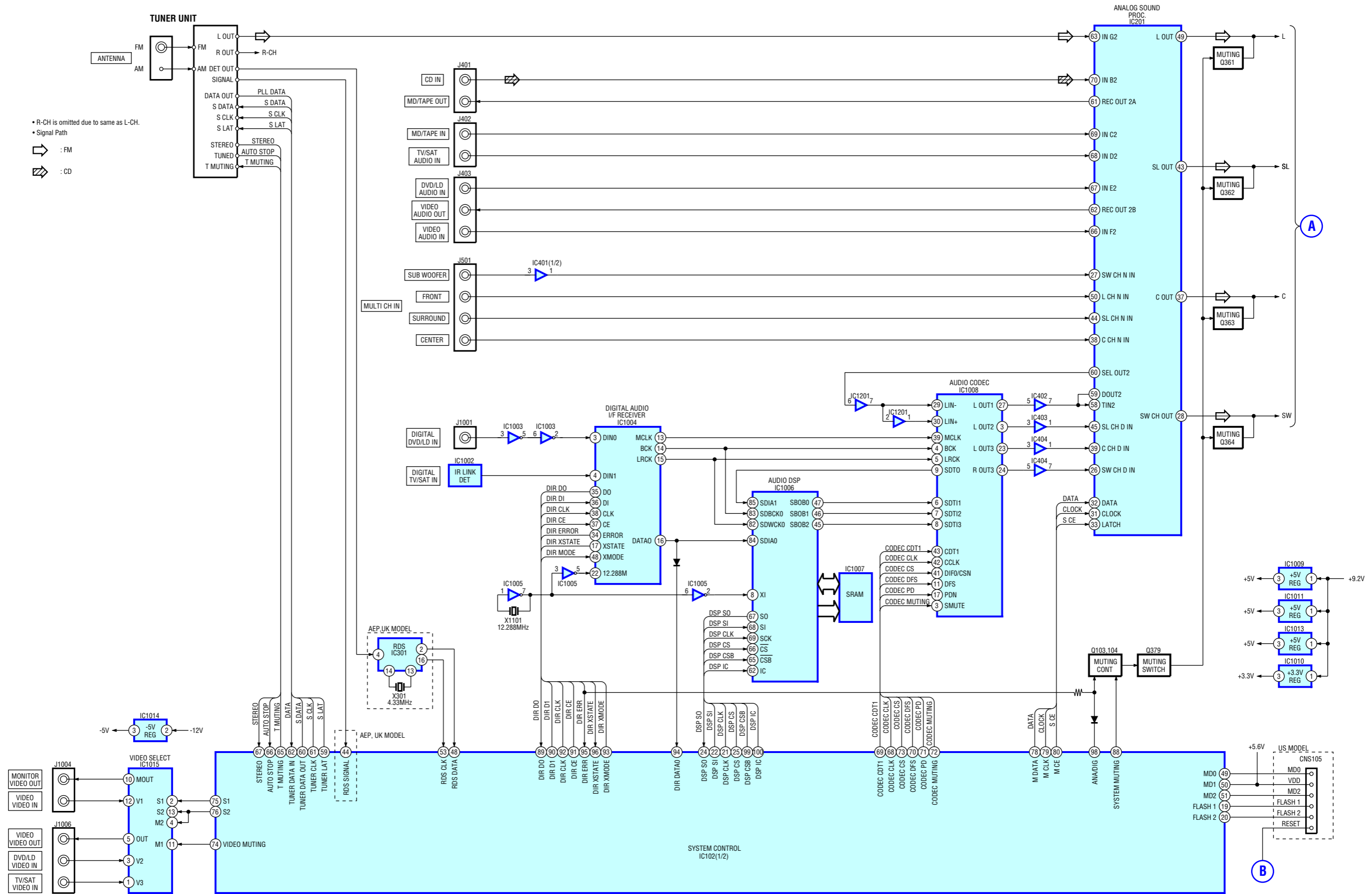


**3-1. CIRCUIT BOARDS LOCATION**

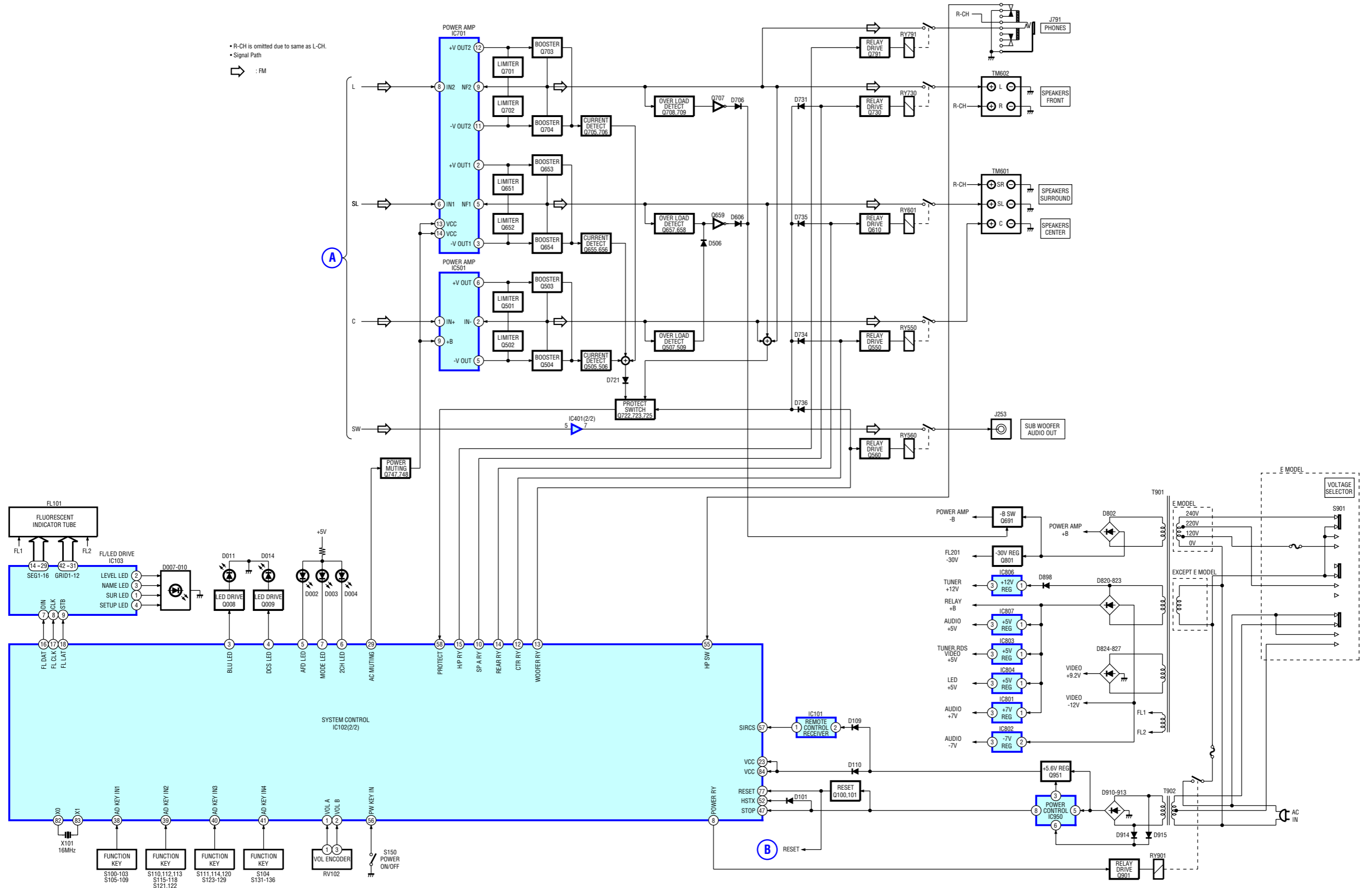




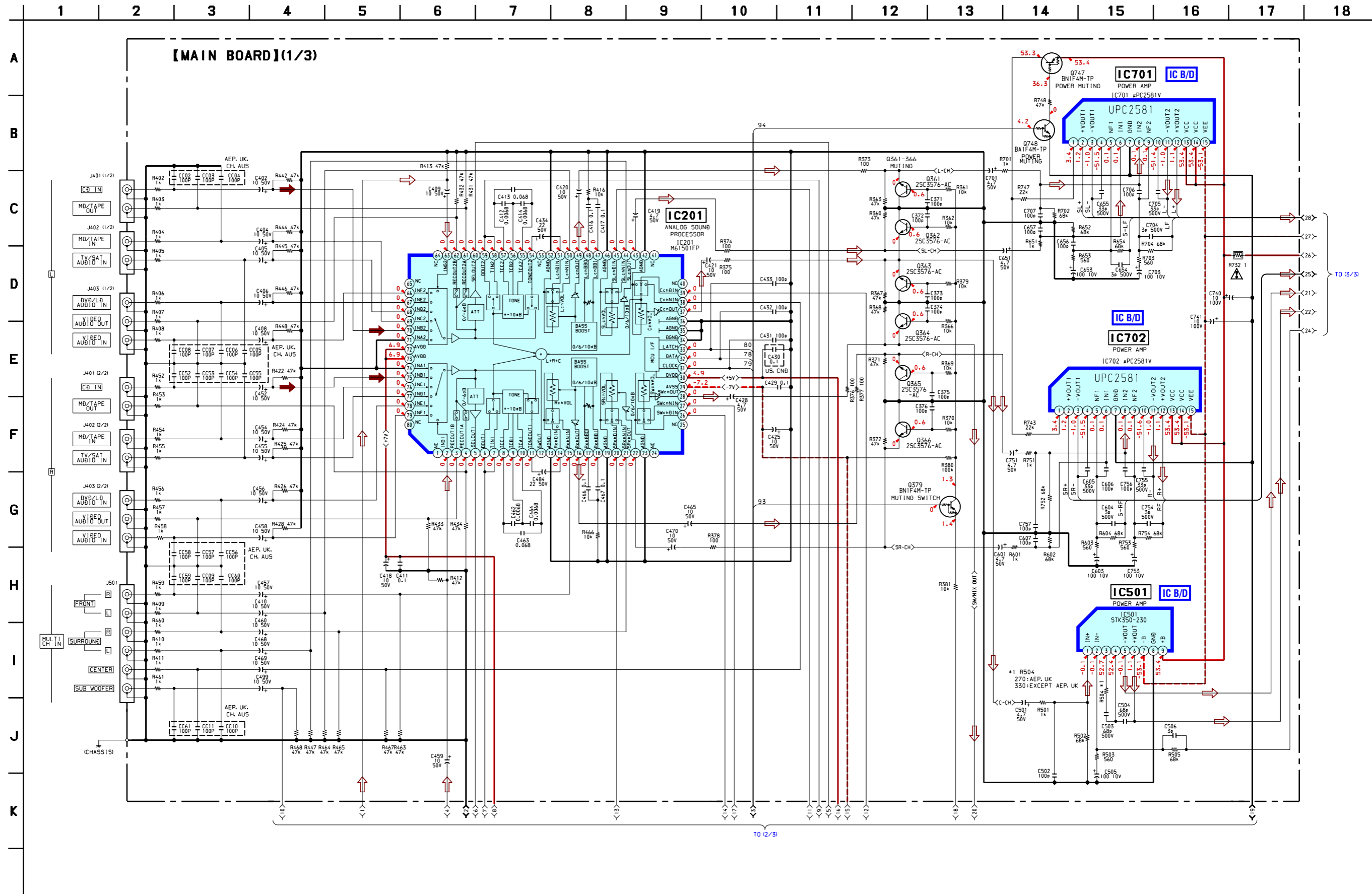
3-2. BLOCK DIAGRAM – MAIN SECTION –

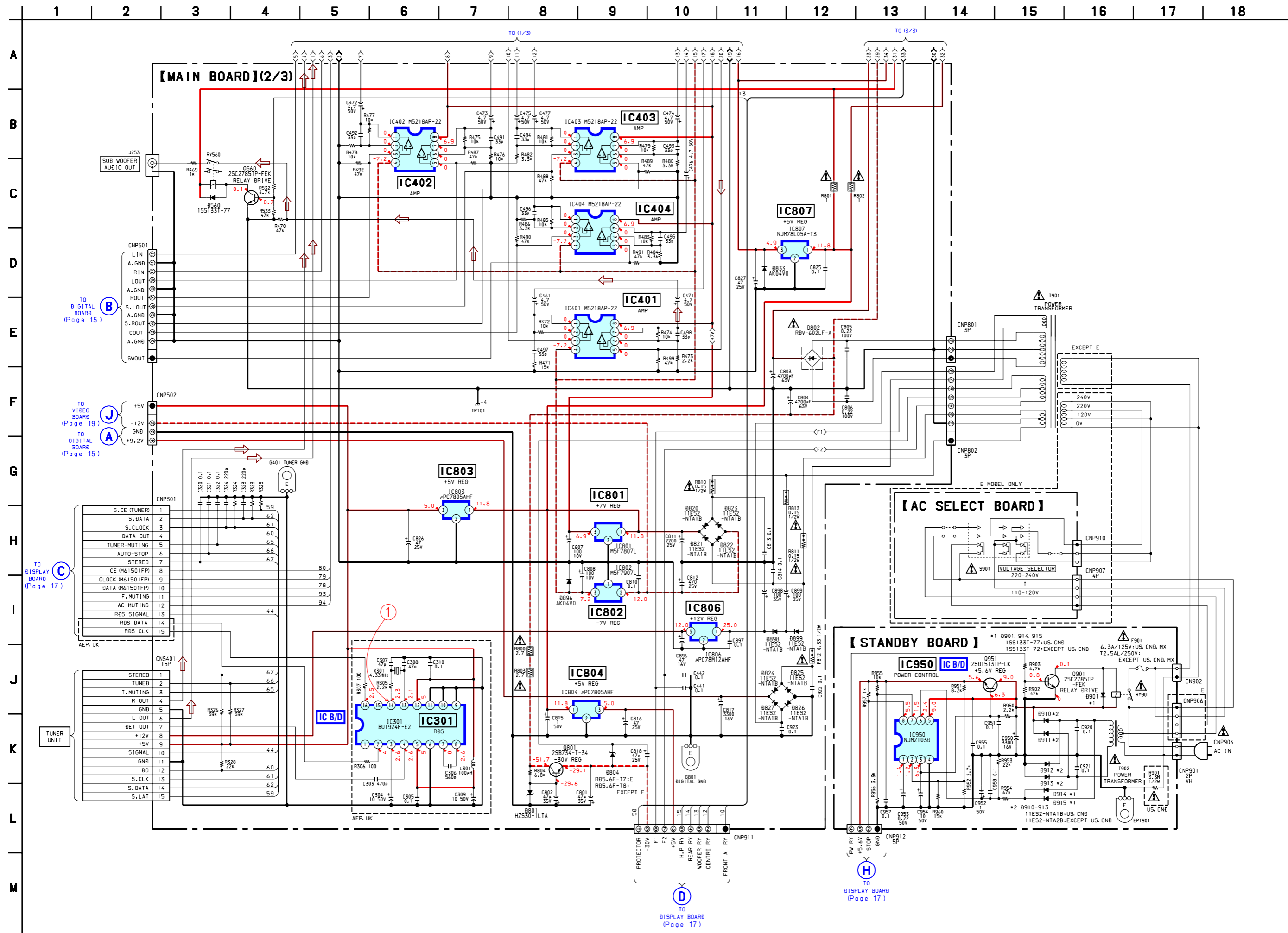


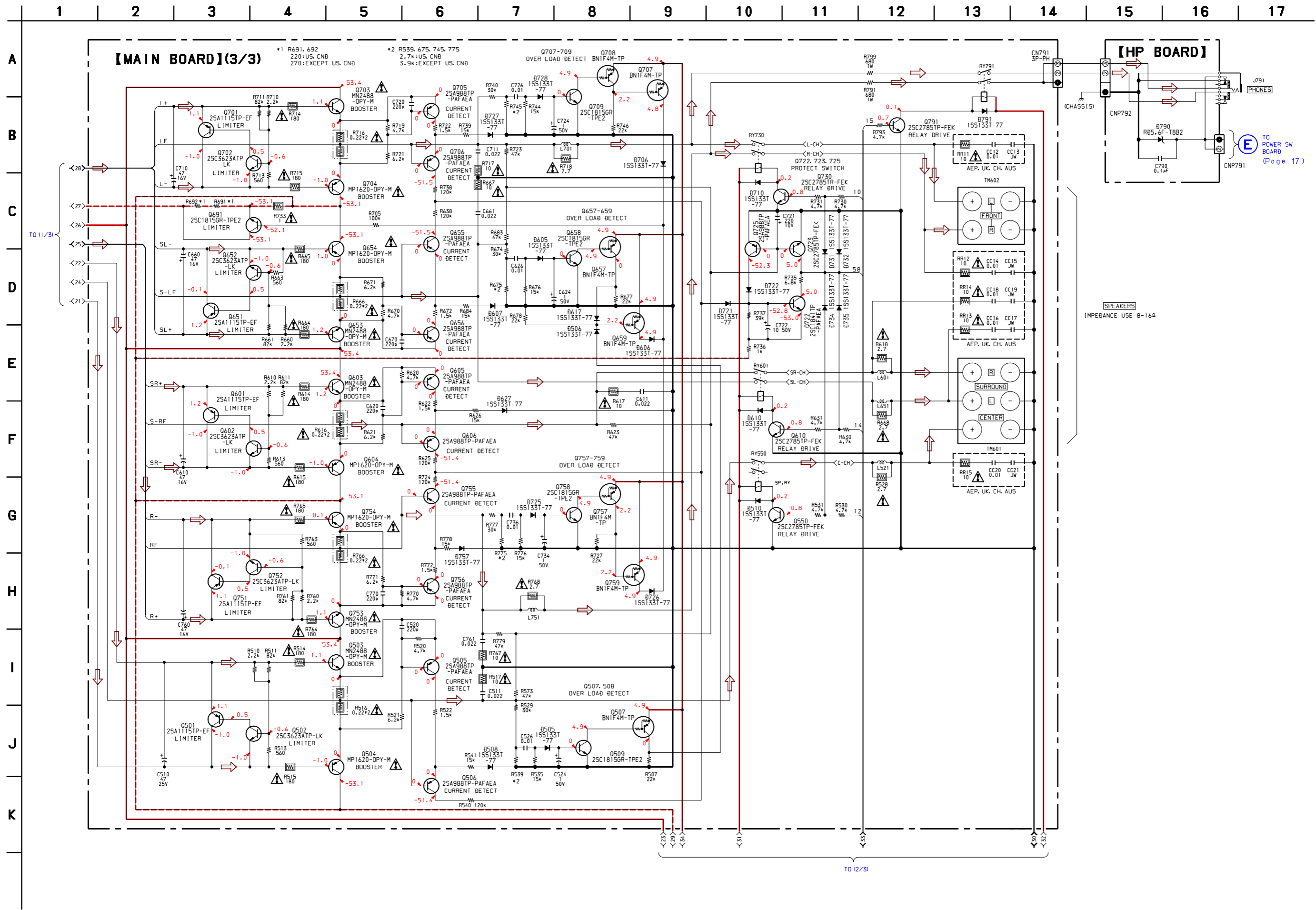
3-3. BLOCK DIAGRAM – DISPLAY SECTION –



3-4. SCHEMATIC DIAGRAM – MAIN SECTION (1/3) – • See page 21 for IC Block Diagram.

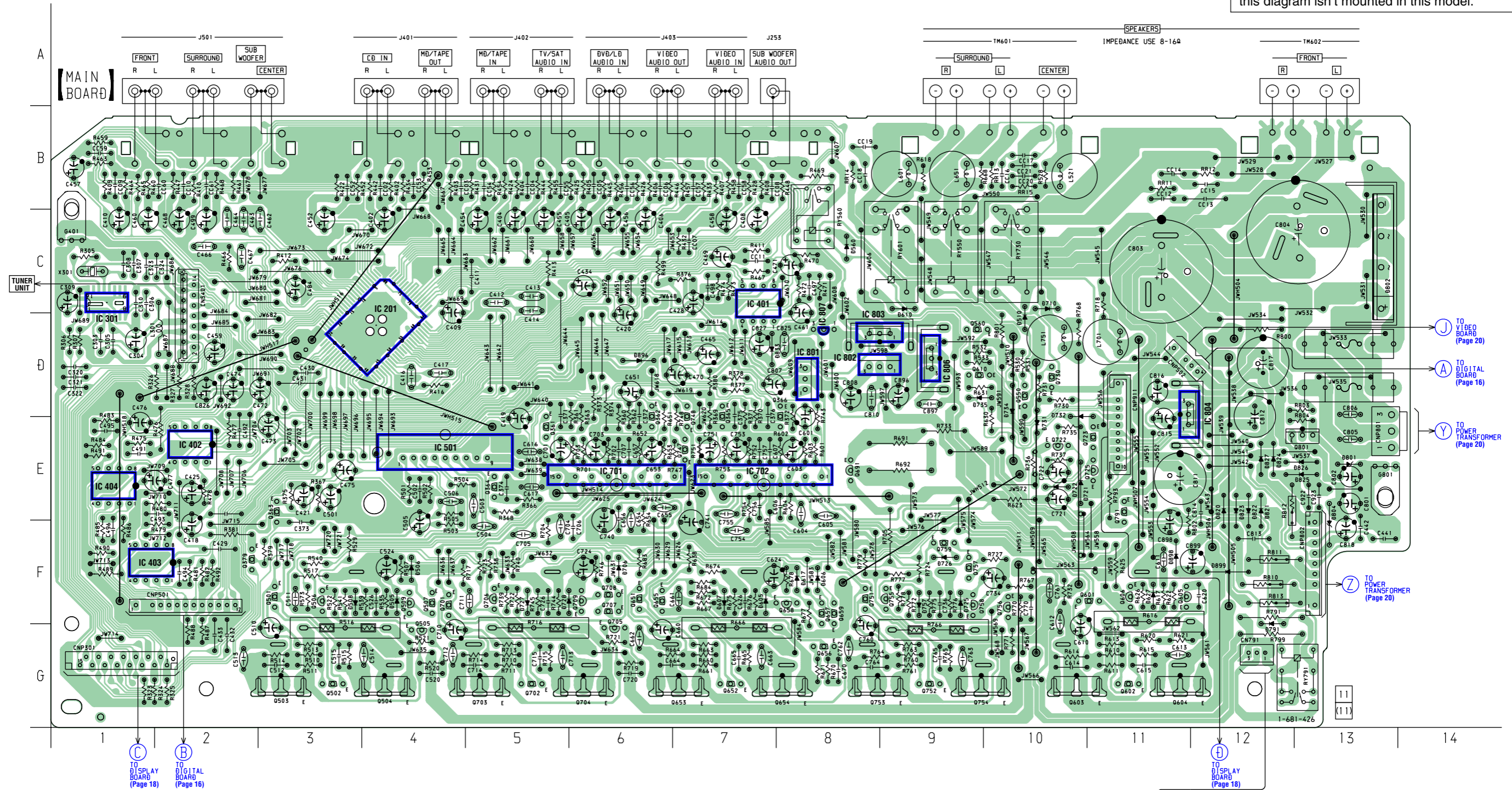






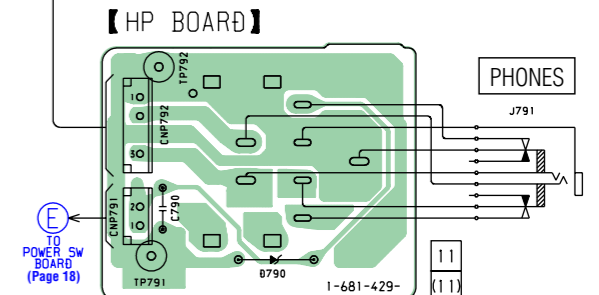
3-7. PRINTED WIRING BOARD – MAIN SECTION – • See page 8 for Circuit Boards Location.

There are a few cases that the part printed on this diagram isn't mounted in this model.



• Semiconductor Location

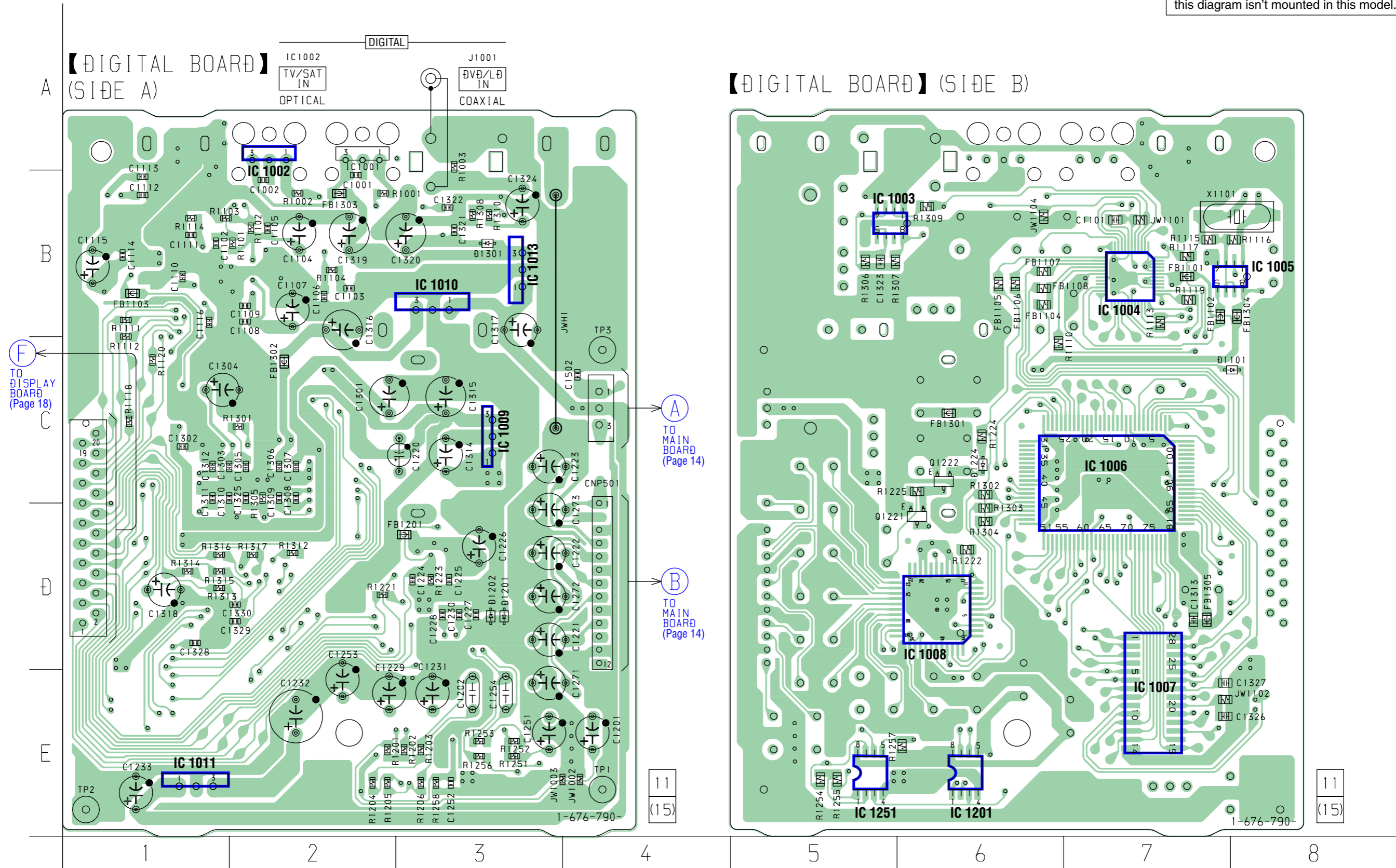
Ref. No.	Location	Ref. No.	Location	Ref. No.	Location	Ref. No.	Location	Ref. No.	Location	Ref. No.	Location	Ref. No.	Location	Ref. No.	Location
D505	F-4	D726	F-9	D824	E-12	IC701	E-6	Q501	F-3	Q610	D-9	Q706	F-5	Q757	F-9
D506	F-4	D727	F-9	D825	E-13	IC702	E-7	Q502	G-3	Q651	F-6	Q707	F-6	Q758	F-9
D508	F-3	D728	F-5	D826	E-13	IC801	D-8	Q503	G-3	Q652	F-7	Q708	F-6	Q759	F-9
D510	D-10	D731	D-10	D827	E-12	IC802	D-8	Q504	G-4	Q653	G-7	Q709	F-6	Q791	E-11
D560	C-8	D732	D-10	D833	D-7	IC803	D-8	Q505	G-4	Q654	G-8	Q722	E-10	Q801	E-13
D605	F-7	D734	D-10	D896	D-6	IC804	D-11	Q506	F-3	Q655	F-6	Q723	E-11		
D606	F-8	D735	D-9	D898	F-11	IC806	D-9	Q507	F-4	Q656	F-8	Q725	E-11		
D607	F-7	D757	F-9	D899	F-12	IC807	D-8	Q509	F-4	Q657	F-8	Q730	D-10		
D610	C-9	D791	F-12					Q550	D-10	Q658	F-8	Q747	E-7		
D617	F-8	D801	E-13	IC201	D-4	Q361	E-5	Q560	D-9	Q659	F-8	Q748	E-7		
D627	F-11	D802	C-13	IC301	C-1	Q362	E-6	Q601	F-10	Q691	E-8	Q751	F-8		
D706	F-6	D804	F-13	IC401	C-7	Q363	E-3	Q602	G-11	Q701	F-4	Q752	G-9		
D710	C-10	D820	E-12	IC402	E-2	Q364	E-5	Q603	F-11	Q702	G-5	Q753	G-8		
D721	E-10	D821	E-12	IC403	F-1	Q365	E-7	Q604	G-11	Q703	G-5	Q754	G-9		
D722	E-10	D822	E-12	IC404	E-1	Q366	E-8	Q605	F-11	Q704	G-6	Q755	F-9		
D725	F-9	D823	E-12	IC501	E-4	Q379	F-2	Q606	F-11	Q705	G-6	Q756	F-10		





3-9. PRINTED WIRING BOARD – DIGITAL SECTION – • See page 8 for Circuit Boards Location.

There are a few cases that the part printed on this diagram isn't mounted in this model.



• Semiconductor Location

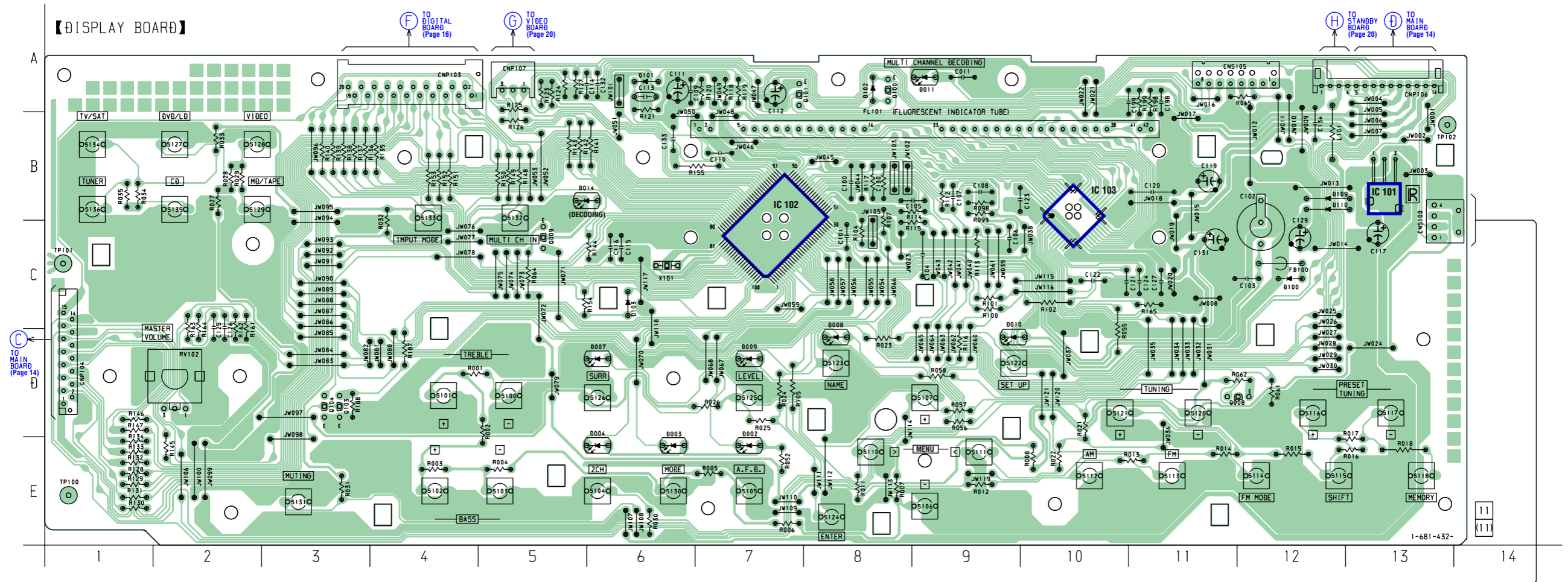
Ref. No.	Location	Ref. No.	Location
D1101	C-7	IC1006	C-7
D1201	D-3	IC1007	E-7
D1202	D-3	IC1008	D-6
D1301	B-3	IC1009	C-3
		IC1010	B-3
IC1002	A-2	IC1011	E-1
IC1003	B-5	IC1013	B-3
IC1004	B-7	IC1201	E-6
IC1005	B-8	IC1251	E-5





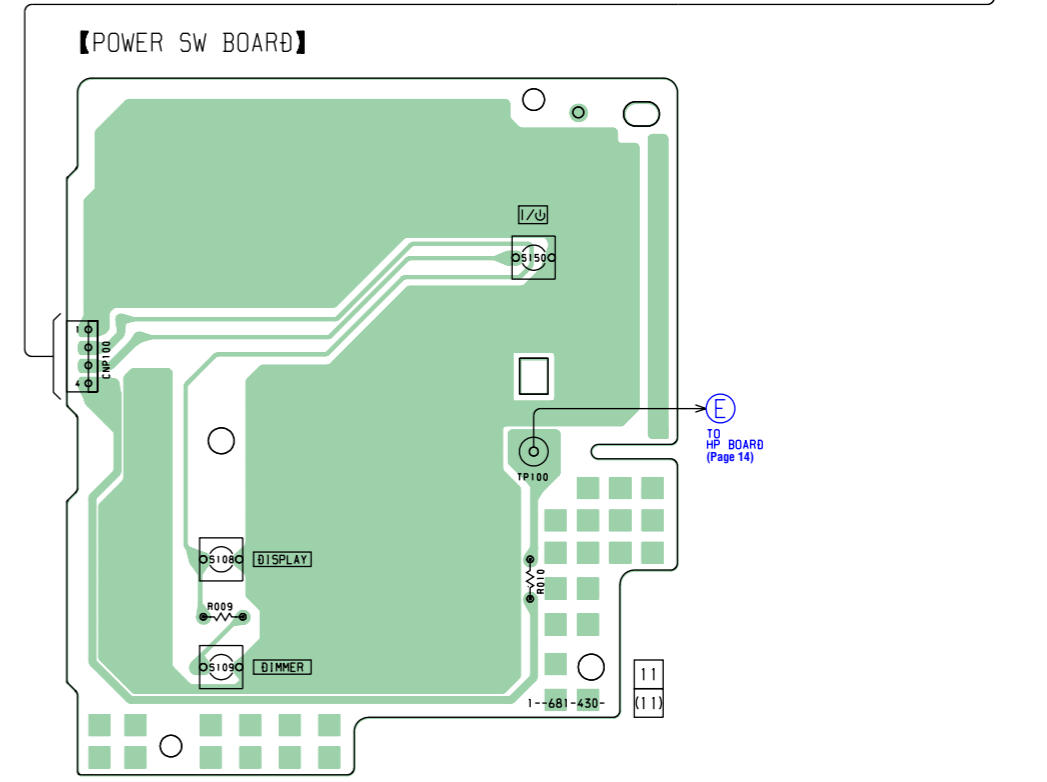
3-11. PRINTED WIRING BOARD – DISPLAY SECTION – • See page 8 for Circuit Boards Location.

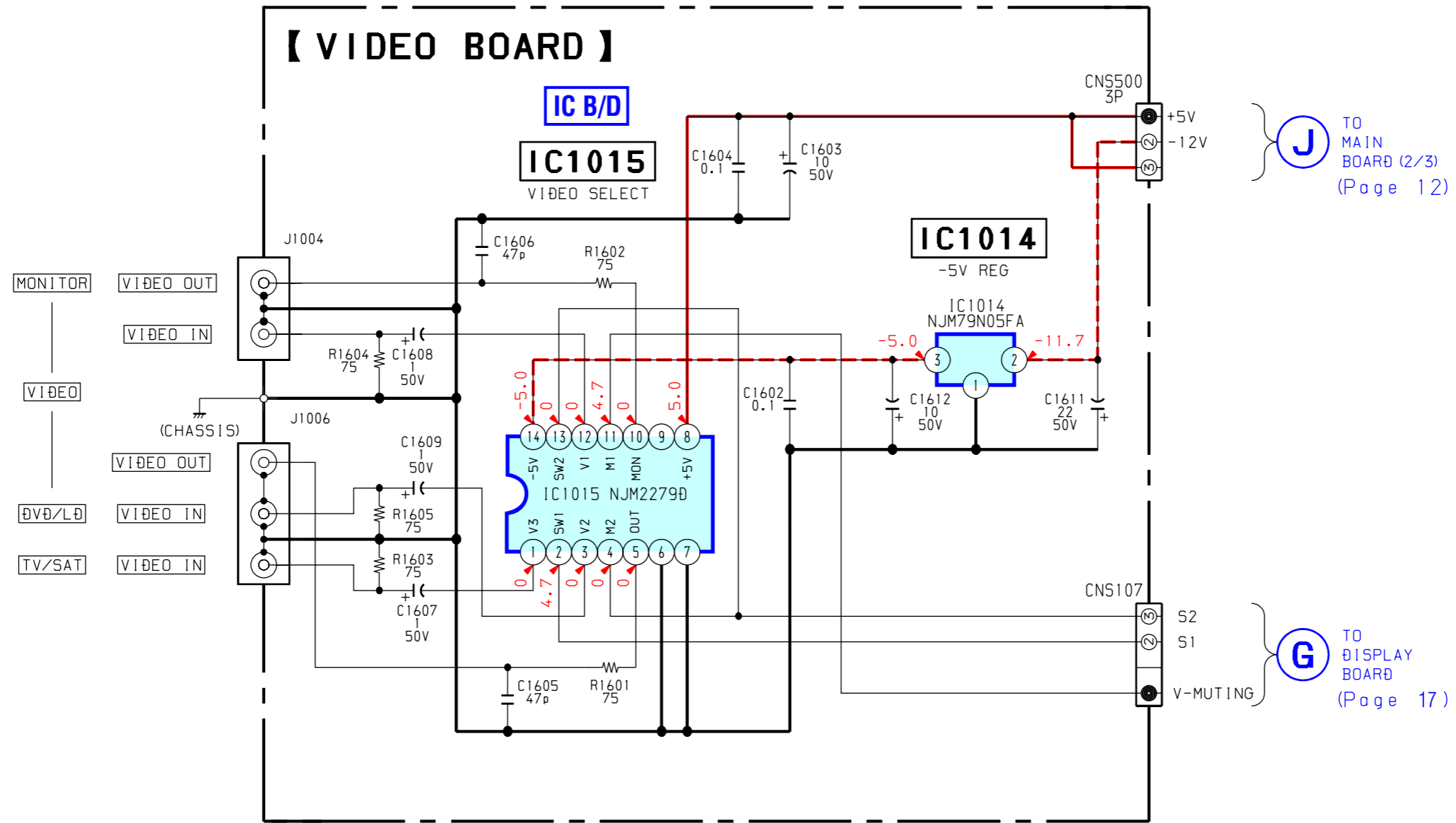
There are a few cases that the part printed on this diagram isn't mounted in this model.



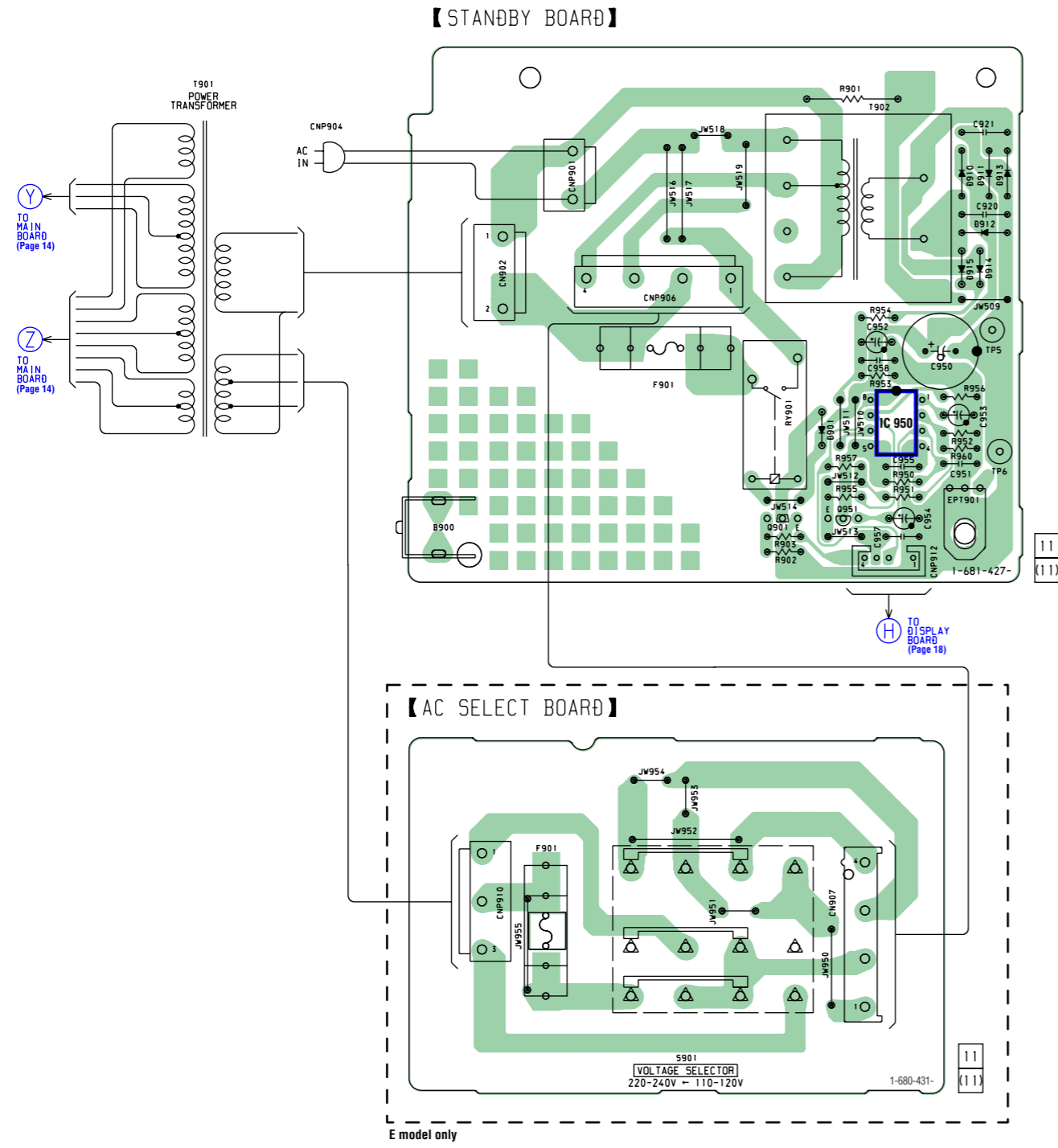
• Semiconductor Location

Ref. No.	Location
D002	E-7
D003	E-6
D004	E-6
D007	D-6
D008	C-8
D009	D-7
D010	D-9
D011	A-9
D014	B-5
D100	C-12
D101	A-6
D102	A-8
D103	C-6
D109	B-12
D110	B-12
IC101	B-13
IC102	B-7
IC103	B-10
Q008	D-12
Q009	C-5
Q100	A-8
Q101	A-7
Q103	D-3
Q104	D-3





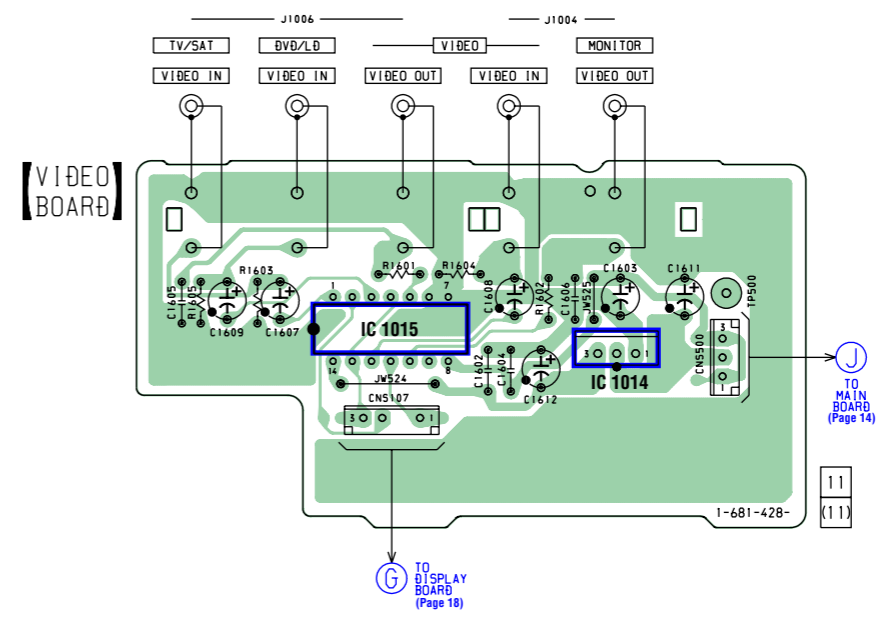
3-13. PRINTED WIRING BOARD – POWER SECTION → See page 8 for Circuit Boards Location.



3-14. PRINTED WIRING BOARD – VIDEO SECTION → See page 8 for Circuit Boards Location.

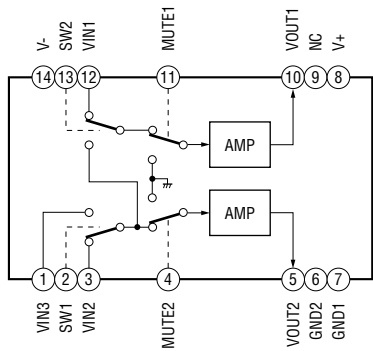
• See page 20 for Schematic Diagram.

There are a few cases that the part printed on this diagram isn't mounted in this model.

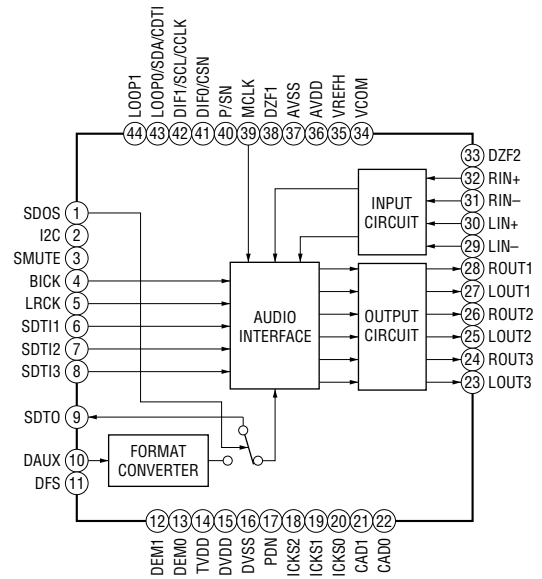


3-15. IC BLOCK DIAGRAMS

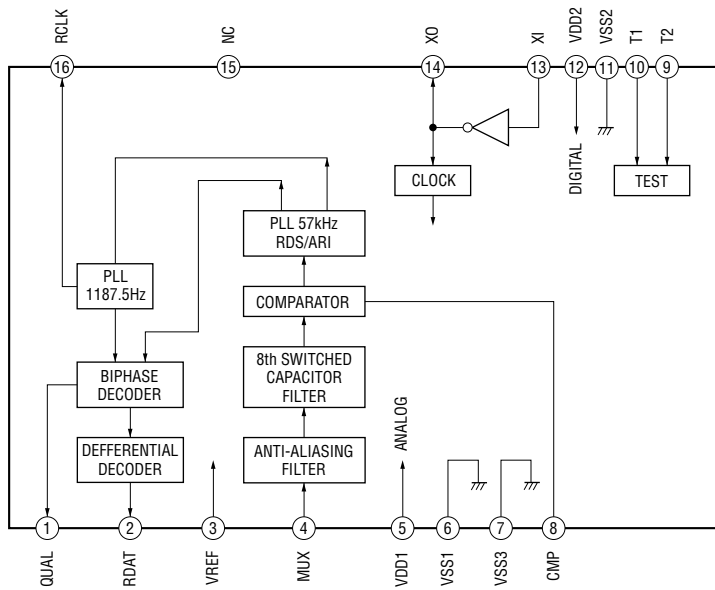
IC1015 NJM2279D (VIDEO BOARD)



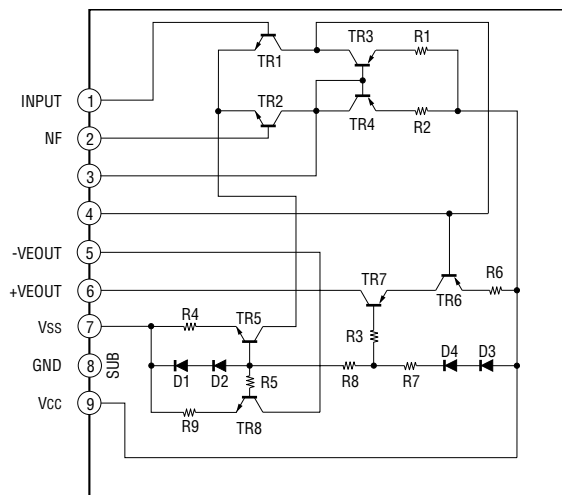
IC1008 AK4527 (DIGITAL BOARD)



IC301 BU1924F-E2 (MAIN BOARD)

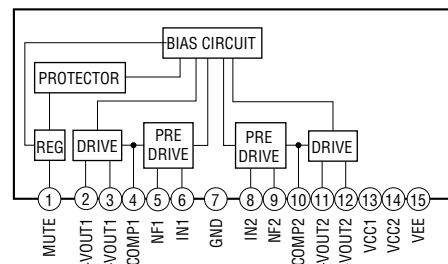


IC501 STK350-230 (MAIN BOARD)

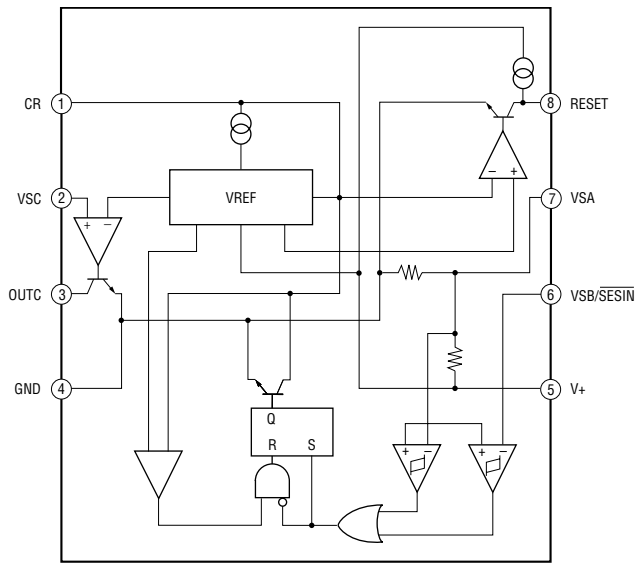


IC701 uPC2581V (MAIN BOARD)

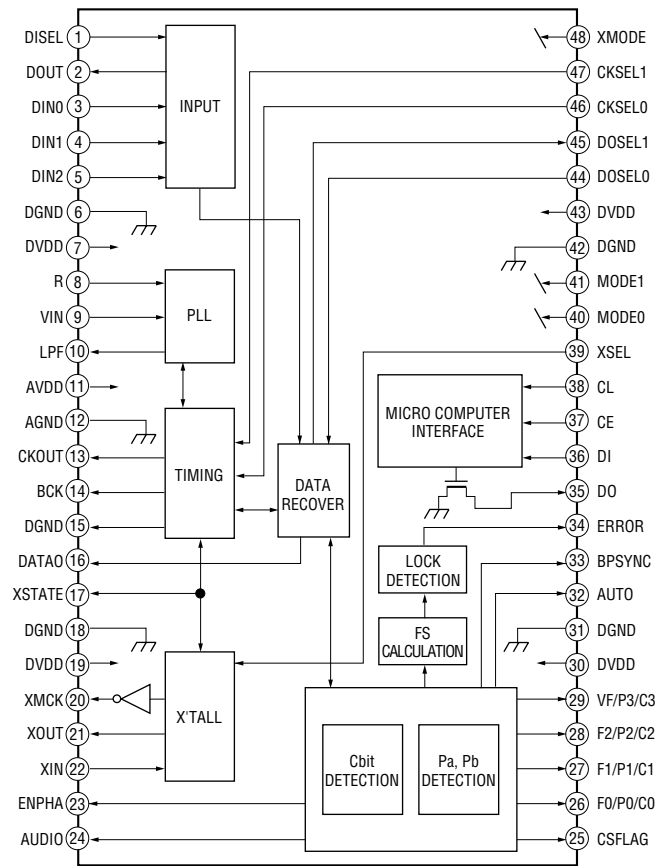
IC702 uPC2581V (MAIN BOARD)



IC950 NJM2103D (STANDBY BOARD)



IC1004 LC89055W-RA8 (DIGITAL BOARD)



### 3-16. IC PIN FUNCTION DESCRIPTION

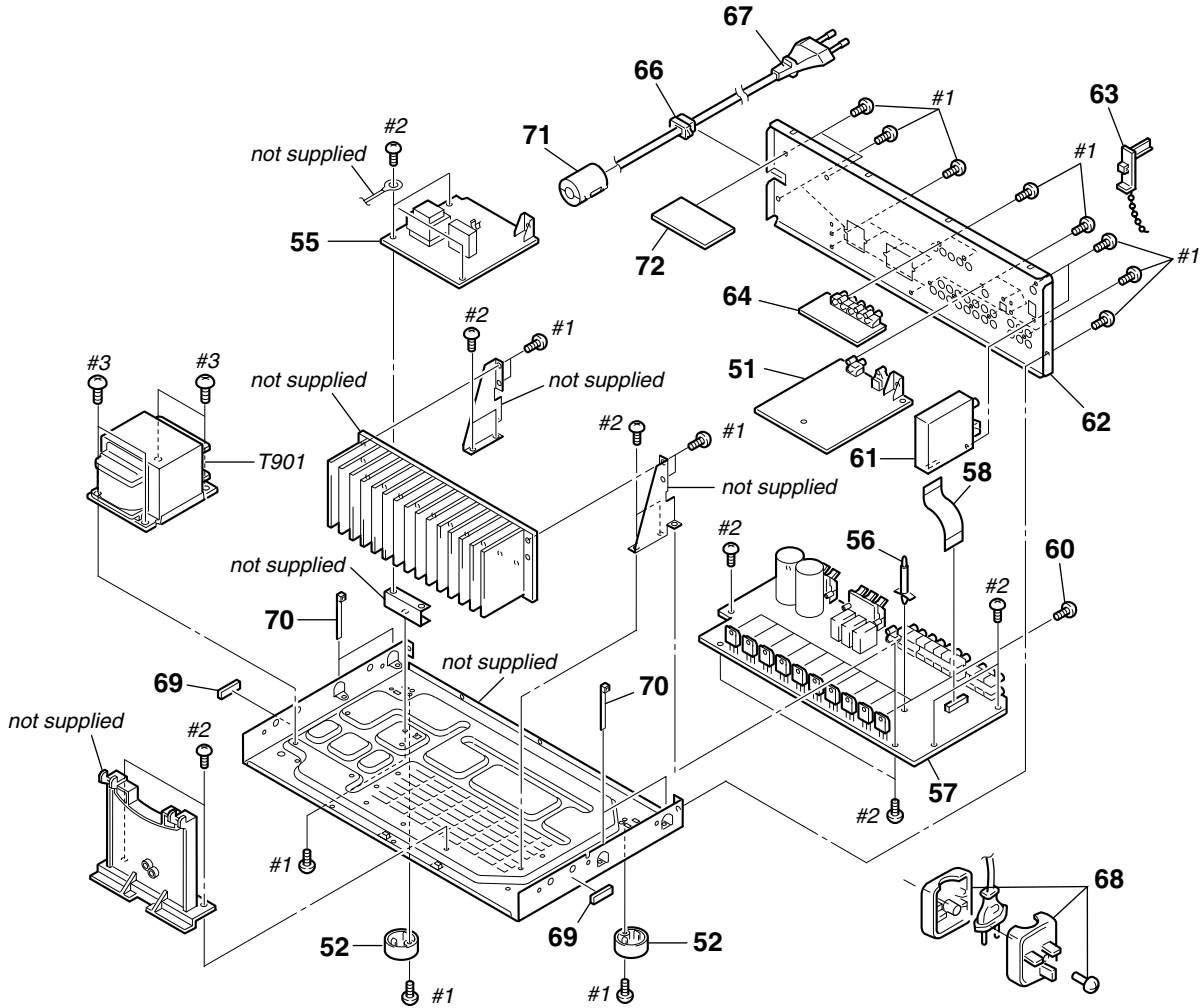
#### • IC102 MB90553ABPF-G-193-BND (SYSTEM CONTROL)

Pin No.	Pin Name	I/O	Description
1	A	I	Read volume encoder A changing
2	B	I	Read volume encoder B changing
3	BLUE LED	O	Control Blue LED
4	DCS LED	O	Control DCS LED
5	AFD LED	O	Control AFD LED
6	2CH LED	O	Control 2CH LED
7	MOD LED	O	Control MODE LED
8	PW RY	O	Control power relay
9	P30	—	
10	SP_A RY	O	Control front speaker relay
11	VSS	—	Ground
12	CENTER RY	O	Control center speaker relay
13	WOOFER RY	O	Control woofer relay
14	REAR RY	O	Control rear speaker relay
15	H/P RY	O	Control headphone relay
16	FL DATA	O	Output data signal to FL tube driver
17	FL CLK	O	Output clock signal to FL tube driver
18	FL LAT	O	Output latch signal to FL tube driver
19	FLASH 1	I	Input FLASH 1 signal
20	FLASH 2	I	Input FLASH 2 signal
21	YSS912 CLK	O	Output clock signal to DSP
22	YSS912 SI	O	Output data signal to DSP
23	VCC	—	Power supply
24	YSS912 SO	I	Input data signal from DSP
25	YSS912 CS	O	Output chip select signal to DSP
26	HTIB	I	Input HTIB signal
27	C	—	Power stabilizing capacitor
28	P50	—	
29	AC MUTING	O	Control power to power amp
30	P52	—	
31	P53	—	
32	P54	—	
33	P55	—	
34	AVCC	—	Analog power supply
35	AVRH	—	
36	AVRL	—	
37	AVSS	—	Analog ground
38	AD KEY IN 1	I	Read key push signal
39	AD KEY IN 2	I	Read key push signal
40	AD KEY IN 3	I	Read key push signal
41	AD KEY IN 4	I	Read key push signal
42	VSS	—	Ground
43	VERSION	I	Read version setting
44	RDS SIGNAL	I	Detect RDS signal level
45	P66	—	
46	P67	—	
47	STOP	I	Input signal when AC off
48	RDS DT	I	Read RDS data
49	MD0	—	Selection of micom operation mode
50	MD1	—	Selection of micom operation mode

Pin No.	Pin Name	I/O	Description
51	MD2	—	Selection of micom operation mode
52	HSTX	—	Hardware standby signal
53	RDS CLK	I	Read RDS clock
54	P73	—	
55	HP SW	I	Detect headphone switch
56	PW KEY IN	I	Detect power switch key
57	SIRCS	I	Input data from remote control receiver
58	PROTECTOR	I	Detect protector status
59	TUNER LAT	O	Output latch signal to tuner
60	TUNER DATA OUT	O	Output data signal to tuner
61	TUNER CLK	O	Output clock signal to tuner
62	TUNER DATA IN	I	Input tuner freq. data
63	P84	—	
64	P85	—	
65	TUNER MUTING	O	Mute tuner during scanning
66	AUTO STOP	I	Tuner has tuned to a freq.
67	STEREO	I	Tuned freq. has stereo
68	CODEC CLK	O	Output clock signal to CODEC
69	CODEC CDT1	O	Output Control Data signal to CODEC
70	CODEC DFS	O	Output DFS mode signal to CODEC
71	CODEC PD	O	Output Power Down signal to CODEC
72	CODEC MUTING	O	Output Soft Muting signal to CODEC
73	CODEC CS	O	Output CS signal to CODEC
74	VIDEO MUTING	O	Control Video muting
75	S1	O	Control Video IC switching
76	S2	O	Control Video IC switching
77	RESET	I	Detect reset signal
78	M61501 DATA	O	Output data signal to sound processor
79	M.CLK	O	Output clock signal to sound processor
80	M.CE	O	Output chip enable signal to sound processor
81	VSS	—	Ground
82	X0	—	For micom clock
83	X1	—	
84	VCC	—	Power supply
85	P00	—	
86	P01	—	
87	P02	—	
88	SYSTEM MUTING	O	Control muting circuit
89	D.DO	I	Input data signal from DIR
90	DIR DI	O	Output data signal to DIR
91	DIR CE	O	Output CE signal to DIR
92	DIR CLK	O	Output clock signal to DIR
93	DIR XMODE	O	Output reset signal to DIR
94	DIR DATAO	I	Input audio data signal from DIR
95	D.ERR	I	Input PLL error muting from DIR
96	DIR XSTATE	I	Input XSTATE data from DIR
97	P14	—	
98	ANG/DIG	O	Control muting circuit
99	Y_CSB	O	Output CSB signal to DSP
100	Y_IC	O	Output IC signal to DSP







Ref. No.	Part No.	Description	Remarks	Ref. No.	Part No.	Description	Remarks
51	A-2007-946-A	DIGITAL BOARD, COMPLETE		62	4-233-753-91	BACK PANEL (DE475) (AR)	
52	4-232-237-01	FOOT (DIA. 30)		63	4-956-370-02	BAND, PLUG FIXED (UK,AUS)	
55	A-2007-945-A	STANDBY BOARD, COMPLETE (US,CND)		64	1-681-428-11	VIDEO BOARD	
55	A-2007-952-A	STANDBY BOARD, COMPLETE (AEP,UK,AR,AUS,CH)		66	3-703-244-00	BUSHING (FBS001), CORD	
55	A-4725-727-A	STANDBY BOARD, COMPLETE (MX)		△ 67	1-696-847-11	CORD, POWER (AUS)	
55	A-4725-729-A	STANDBY BOARD, COMPLETE (E)		△ 67	1-777-071-21	CORD, POWER (AEP,UK)	
* 56	4-924-098-91	HOLDER, PC BOARD		△ 67	1-783-205-11	CORD, POWER (CH)	
57	A-2007-941-A	MAIN BOARD, COMPLETE (US)		△ 67	1-783-820-11	CORD, POWER (US,CND,E)	
57	A-2007-949-A	MAIN BOARD, COMPLETE (CND)		△ 67	1-783-941-12	CORD, POWER (AR)	
57	A-2007-951-A	MAIN BOARD, COMPLETE (AEP,UK)		△ 68	1-770-019-11	ADAPTOR, CONVERSION PLUG 3P (UK)	
57	A-2007-954-A	MAIN BOARD, COMPLETE (MX,AR,AUS,CH)		69	4-921-941-01	CUSHION	
57	A-4725-730-A	MAIN BOARD, COMPLETE (E)		70	3-701-748-00	CLAMP	
58	1-773-001-11	WIRE (FLAT TYPE) (15 CORE)		71	1-500-386-11	FILTER, CLAMP (FERRITE CORE) (AEP,UK,AUS,CH)	
60	3-905-609-01	SCREW (TRANSISTOR)		72	1-681-431-11	AC SELECT BOARD (E)	
61	1-693-407-21	TUNER (US,CND,E,MX,AR)		△ T901	1-435-312-11	TRANSFORMER, POWER (CND)	
61	1-693-408-41	TUNER (AEP,UK,AUS,CH)		△ T901	1-435-313-11	TRANSFORMER, POWER (US)	
62	4-233-753-01	BACK PANEL (DE475) (US)		△ T901	1-435-908-11	POWER TRANSFORMER (AEP,UK,CH)	
62	4-233-753-11	BACK PANEL (DE475) (CND)		△ T901	1-435-909-11	POWER TRANSFORMER (E)	
62	4-233-753-21	BACK PANEL (DE475) (AUS)		△ T901	1-435-910-11	POWER TRANSFORMER (AUS)	
62	4-233-753-41	BACK PANEL (DE475) (CH)		#1	7-685-646-79	SCREW +BVTP 3X8 TYPE2 IT-3	
62	4-233-753-51	BACK PANEL (DE475) (E)		#2	7-685-645-79	SCREW +BVTP 3X6 TYPE2 N-S	
62	4-233-753-61	BACK PANEL (DE475) (AEP)		#3	7-685-880-09	SCREW +BVTT 4X6 (S)	
62	4-233-753-71	BACK PANEL (DE475) (UK)					
62	4-233-753-81	BACK PANEL (DE475) (MX)					

The components identified by mark △ or dotted line with mark △ are critical for safety. Replace only with part number specified.

Les composants identifiés par une marque △ sont critiques pour la sécurité. Ne les remplacer que par une pièce portant le numéro spécifié.

以阴影和 △ 标志来识别的零部件，在安全方面具有关键性。因此只能以规定号码的零部件来更换。

## SECTION 5 ELECTRICAL PARTS LIST

AC SELECT

DIGITAL

## NOTE:

- Due to standardization, replacements in the parts list may be different from the parts specified in the diagrams or the components used on the set.
- -XX, -X mean standardized parts, so they may have some difference from the original one.
- Items marked "\*" are not stocked since they are seldom required for routine service. Some delay should be anticipated when ordering these items.
- Abbreviation  
CND: Canadian model.  
AUS: Australian model.  
AR : Argentine model.  
CH : Chinese model.  
MX : Mexican model.

- CAPACITORS:  
uF:  $\mu$ F
- RESISTORS  
All resistors are in ohms.  
METAL: metal-film resistor  
METAL OXIDE: Metal Oxide-film resistor  
F: nonflammable
- COILS  
uH:  $\mu$ H

- SEMICONDUCTORS  
In each case, u:  $\mu$ , for example:  
uA...:  $\mu$ A..., uPA...,  $\mu$ PA...,  
uPB...,  $\mu$ PB..., uPC...,  $\mu$ PC...,  
uPD...,  $\mu$ PD...

The components identified by mark  $\Delta$  or dotted line with mark  $\Delta$  are critical for safety. Replace only with part number specified.

Les composants identifiés par une marque  $\Delta$  sont critiques pour la sécurité. Ne les remplacer que par une pièce portant le numéro spécifié.

以阴影和  $\Delta$  标志来识别的零部件在安全方面具有关键性。因此只能以规定号码的零部件来更换。

When indicating parts by reference number, please include the board name.

Ref. No.	Part No.	Description	Remarks	Ref. No.	Part No.	Description	Remarks
	1-680-431-11	AC SELECT BOARD (E) *****		C1231	1-126-964-11	ELECT	10uF 20.00% 50V
		< SWITCH >		C1232	1-126-935-11	ELECT	470uF 20.00% 6.3V
$\Delta$ S901	1-571-437-21	SWITCH, POWER VOLTAGE CHANGE (VOLTAGE SELECTOR) *****		C1233	1-126-960-11	ELECT	1uF 20.00% 50V
	A-2007-946-A	DIGITAL BOARD, COMPLETE *****		C1251	1-126-965-11	ELECT	22uF 20.00% 50V
	7-685-645-79	SCREW +BVTP 3X6 TYPE2 N-S  < CAPACITOR >		C1252	1-165-319-11	CERAMIC CHIP	0.1uF 50V
C1002	1-165-319-11	CERAMIC CHIP	0.1uF 50V	C1253	1-126-964-11	ELECT	10uF 20.00% 50V
C1101	1-165-319-11	CERAMIC CHIP	0.1uF 50V	C1254	1-106-347-00	MYLAR	1500PF 5% 200V
C1102	1-163-021-11	CERAMIC CHIP	0.01uF 10.00% 50V	C1271	1-126-965-11	ELECT	22uF 20.00% 50V
C1103	1-165-319-11	CERAMIC CHIP	0.1uF 50V	C1272	1-126-965-11	ELECT	22uF 20.00% 50V
C1104	1-104-664-11	ELECT	47uF 20.00% 16V	C1273	1-126-965-11	ELECT	22uF 20.00% 50V
C1105	1-165-319-11	CERAMIC CHIP	0.1uF 50V	C1301	1-126-935-11	ELECT	470uF 20.00% 6.3V
C1106	1-163-021-11	CERAMIC CHIP	0.01uF 10.00% 50V	C1302	1-165-319-11	CERAMIC CHIP	0.1uF 50V
C1107	1-104-664-11	ELECT	47uF 20.00% 16V	C1303	1-165-319-11	CERAMIC CHIP	0.1uF 50V
C1108	1-165-319-11	CERAMIC CHIP	0.1uF 50V	C1304	1-104-664-11	ELECT	47uF 20.00% 16V
C1109	1-165-319-11	CERAMIC CHIP	0.1uF 50V	C1305	1-163-133-00	CERAMIC CHIP	470PF 5% 50V
C1110	1-165-319-11	CERAMIC CHIP	0.1uF 50V	C1306	1-165-319-11	CERAMIC CHIP	0.1uF 50V
C1111	1-163-021-11	CERAMIC CHIP	0.01uF 10.00% 50V	C1307	1-165-319-11	CERAMIC CHIP	0.1uF 50V
C1112	1-163-233-11	CERAMIC CHIP	18PF 5.00% 50V	C1308	1-165-319-11	CERAMIC CHIP	0.1uF 50V
C1113	1-163-233-11	CERAMIC CHIP	18PF 5.00% 50V	C1309	1-165-319-11	CERAMIC CHIP	0.1uF 50V
C1114	1-165-319-11	CERAMIC CHIP	0.1uF 50V	C1310	1-165-319-11	CERAMIC CHIP	0.1uF 50V
C1115	1-104-664-11	ELECT	47uF 20.00% 16V	C1311	1-165-319-11	CERAMIC CHIP	0.1uF 50V
C1116	1-163-251-11	CERAMIC CHIP	100PF 5.00% 50V	C1312	1-165-319-11	CERAMIC CHIP	0.1uF 50V
C1201	1-126-965-11	ELECT	22uF 20.00% 50V	C1313	1-165-319-11	CERAMIC CHIP	0.1uF 50V
C1202	1-106-347-00	MYLAR	1500PF 5% 200V	C1314	1-126-960-11	ELECT	1uF 20.00% 50V
C1221	1-126-965-11	ELECT	22uF 20.00% 50V	C1315	1-126-935-11	ELECT	470uF 20.00% 6.3V
C1222	1-126-965-11	ELECT	22uF 20.00% 50V	C1316	1-126-935-11	ELECT	470uF 20.00% 6.3V
C1223	1-126-965-11	ELECT	22uF 20.00% 50V	C1317	1-126-960-11	ELECT	1uF 20.00% 50V
C1224	1-165-319-11	CERAMIC CHIP	0.1uF 50V	C1318	1-104-665-11	ELECT	100uF 20.00% 10V
C1225	1-165-319-11	CERAMIC CHIP	0.1uF 50V	C1320	1-126-935-11	ELECT	470uF 20.00% 6.3V
C1226	1-126-964-11	ELECT	10uF 20.00% 50V	C1321	1-165-319-11	CERAMIC CHIP	0.1uF 50V
C1227	1-163-275-11	CERAMIC CHIP	0.001uF 10.00% 16V	C1322	1-163-243-11	CERAMIC CHIP	47PF 5.00% 50V
C1228	1-165-319-11	CERAMIC CHIP	0.1uF 50V	C1323	1-163-217-11	CERAMIC CHIP	1PF 0.25PF 50V
C1229	1-104-664-11	ELECT	47uF 20.00% 16V	C1324	1-126-965-11	ELECT	22uF 20.00% 50V
C1230	1-107-826-11	CERAMIC CHIP	0.1uF 10.00% 16V	C1325	1-163-021-11	CERAMIC CHIP	0.01uF 10.00% 50V
C1230	1-165-319-11	CERAMIC CHIP	0.1uF 50V	C1329	1-163-251-11	CERAMIC CHIP	100PF 5.00% 50V
				C1330	1-163-251-11	CERAMIC CHIP	100PF 5.00% 50V
						< CONNECTOR >	
				CNP501	1-784-927-11	PIN, CONNECTOR 12P	
				* CNP502	1-564-506-11	PLUG, CONNECTOR 3P	
				CNS103	1-794-006-11	CONNECTOR 20P	

**DIGITAL**      **DISPLAY**

Ref. No.	Part No.	Description	Remarks
< DIODE >			
D1101	8-719-016-74	DIODE 1SS352-TPH3	
D1201	8-719-016-74	DIODE 1SS352-TPH3	
D1202	8-719-016-74	DIODE 1SS352-TPH3	
D1301	8-719-016-74	DIODE 1SS352-TPH3	
< FERRITE BEAD >			
FB1101	1-414-813-11	FERRITE      OUH	
FB1102	1-469-152-11	FERRITE      OUH	
FB1103	1-469-152-11	FERRITE      OUH	
FB1104	1-469-152-11	FERRITE      OUH	
FB1105	1-469-152-11	FERRITE      OUH	
FB1106	1-469-152-11	FERRITE      OUH	
FB1107	1-469-152-11	FERRITE      OUH	
FB1108	1-469-152-11	FERRITE      OUH	
FB1201	1-414-813-11	FERRITE      OUH	
FB1301	1-414-813-11	FERRITE      OUH	
FB1302	1-414-813-11	FERRITE      OUH	
FB1303	1-414-813-11	FERRITE      OUH	
FB1304	1-414-813-11	FERRITE      OUH	
FB1305	1-414-813-11	FERRITE      OUH	
< IC >			
IC1002	8-749-923-05	TORX178B(OPTICAL(TV/SAT IN))	
IC1003	8-759-242-70	IC TC7WU04F(TE12R)	
IC1004	8-759-639-35	IC LC89055W-RA8	
IC1005	8-759-242-70	IC TC7WU04F(TE12R)	
IC1006	8-759-643-42	IC CXD9511AQ	
IC1007	8-759-697-47	IC IDT71256SA20Y-TL	
IC1008	8-759-657-47	IC AK4527	
IC1009	8-759-039-69	IC uPC7805AHF	
IC1010	8-759-647-10	IC uPC2933HF	
IC1011	8-759-039-69	IC uPC7805AHF	
IC1013	8-759-039-69	IC uPC7805AHF	
IC1201	8-759-099-06	IC M5218AFP-TE1	
IC1251	8-759-099-06	IC M5218AFP-TE1	
< JACK >			
J1001	1-784-431-11	JACK, PIN 1P (COAXIAL(DVD/LD IN))	
< JUMPER RESISTOR >			
JW1102	1-216-295-11	SHORT      0	
< RESISTOR >			
R1002	1-216-025-11	RES-CHIP      100      5%      1/10W	
R1003	1-216-022-00	METAL CHIP      75      5%      1/10W	
R1101	1-216-071-00	METAL CHIP      8.2K      5%      1/10W	
R1102	1-216-066-00	METAL CHIP      5.1K      5%      1/10W	
R1103	1-216-066-00	METAL CHIP      5.1K      5%      1/10W	
R1104	1-216-022-00	METAL CHIP      75      5%      1/10W	
R1110	1-216-049-11	RES-CHIP      1K      5%      1/10W	
R1111	1-216-049-11	RES-CHIP      1K      5%      1/10W	
R1112	1-216-049-11	RES-CHIP      1K      5%      1/10W	
R1113	1-216-073-00	METAL CHIP      10K      5%      1/10W	
R1114	1-216-073-00	METAL CHIP      10K      5%      1/10W	
R1115	1-216-043-00	RES-CHIP      560      5%      1/10W	
R1116	1-216-121-11	RES-CHIP      1M      5%      1/10W	
R1117	1-216-025-11	RES-CHIP      100      5%      1/10W	
R1118	1-216-025-11	RES-CHIP      100      5%      1/10W	

Ref. No.	Part No.	Description	Remarks
R1119	1-216-025-11	RES-CHIP      100      5%      1/10W	
R1120	1-216-025-11	RES-CHIP      100      5%      1/10W	
R1201	1-216-073-00	METAL CHIP      10K      5%      1/10W	
R1202	1-216-059-00	METAL CHIP      2.7K      5%      1/10W	
R1203	1-216-037-00	METAL CHIP      330      5%      1/10W	
R1204	1-216-073-00	METAL CHIP      10K      5%      1/10W	
R1205	1-216-073-00	METAL CHIP      10K      5%      1/10W	
R1206	1-216-037-00	METAL CHIP      330      5%      1/10W	
R1221	1-216-025-11	RES-CHIP      100      5%      1/10W	
R1222	1-216-073-00	METAL CHIP      10K      5%      1/10W	
R1223	1-216-097-11	RES-CHIP      100K      5%      1/10W	
R1251	1-216-073-00	METAL CHIP      10K      5%      1/10W	
R1252	1-216-059-00	METAL CHIP      2.7K      5%      1/10W	
R1253	1-216-037-00	METAL CHIP      330      5%      1/10W	
R1254	1-216-073-00	METAL CHIP      10K      5%      1/10W	
R1255	1-216-073-00	METAL CHIP      10K      5%      1/10W	
R1256	1-216-037-00	METAL CHIP      330      5%      1/10W	
R1257	1-216-065-00	RES-CHIP      4.7K      5%      1/10W	
R1258	1-216-065-00	RES-CHIP      4.7K      5%      1/10W	
R1301	1-216-073-00	METAL CHIP      10K      5%      1/10W	
R1302	1-216-025-11	RES-CHIP      100      5%      1/10W	
R1303	1-216-025-11	RES-CHIP      100      5%      1/10W	
R1304	1-216-025-11	RES-CHIP      100      5%      1/10W	
R1305	1-216-073-00	METAL CHIP      10K      5%      1/10W	
R1306	1-216-081-00	METAL CHIP      22K      5%      1/10W	
R1307	1-216-115-00	METAL CHIP      560K      5%      1/10W	
R1308	1-216-115-00	METAL CHIP      560K      5%      1/10W	
R1309	1-216-025-11	RES-CHIP      100      5%      1/10W	
R1310	1-216-049-11	RES-CHIP      1K      5%      1/10W	
R1312	1-216-025-11	RES-CHIP      100      5%      1/10W	
R1313	1-216-025-11	RES-CHIP      100      5%      1/10W	
R1314	1-216-025-11	RES-CHIP      100      5%      1/10W	
R1315	1-216-025-11	RES-CHIP      100      5%      1/10W	
R1316	1-216-025-11	RES-CHIP      100      5%      1/10W	
R1317	1-216-025-11	RES-CHIP      100      5%      1/10W	
< VIBRATOR >			
X1101	1-781-465-21	VIBRATOR, CRYSTAL 12.288MHZ	
*****			
A-2007-948-A	DISPLAY BOARD, COMPLETE (US)		
*****			
A-2007-950-A	DISPLAY BOARD, COMPLETE (CND)		
*****			
A-2007-953-A	DISPLAY BOARD, COMPLETE (AEP,UK)		
*****			
A-2007-955-A	DISPLAY BOARD, COMPLETE (AUS)		
*****			
A-2007-957-A	DISPLAY BOARD, COMPLETE (CH)		
*****			
A-4725-731-A	DISPLAY BOARD, COMPLETE (E,MX,AR)		
*****			
3-386-245-21	HOLDER (FL)		
* 4-921-941-01	CUSHION (FL)		
< CAPACITOR >			
C011	1-164-159-11	CERAMIC      0.1uF      50V	
C100	1-164-159-11	CERAMIC      0.1uF      50V	
C101	1-164-159-11	CERAMIC      0.1uF      50V	
C102	1-104-905-11	CAPACITOR      0.22F      5.5V	
C103	1-164-159-21	CERAMIC      0.1uF      50V	

Ref. No.	Part No.	Description	Remarks	Ref. No.	Part No.	Description	Remarks
C104	1-127-880-31	CERAMIC	0.022uF 10% 50V			< FERRITE BEAD >	
C105	1-127-880-31	CERAMIC	0.022uF 10% 50V				
C106	1-127-880-31	CERAMIC	0.022uF 10% 50V	FB100	1-412-473-41	INDUCTOR	0UH (US,CND)
C107	1-127-880-31	CERAMIC	0.022uF 10% 50V			< FILTER >	
C108	1-127-880-31	CERAMIC	0.022uF 10% 50V				
C109	1-164-159-11	CERAMIC	0.1uF 50V	FL101	1-518-718-11	INDICATOR TUBE, FLUORESCENT	
C110	1-164-159-11	CERAMIC	0.1uF 50V			< IC >	
C111	1-124-589-11	ELECT	47uF 20% 16V	IC101	8-749-011-22	IC GP1U27X	
C112	1-126-163-11	ELECT	4.7uF 20% 50V	IC102	6-800-001-01	IC MB90553ABPF-G-193-BND	
C113	1-136-169-00	FILM	0.22uF 5.00% 50V	IC103	8-759-643-83	IC uPD16315GB-3BS	
C114	1-164-159-11	CERAMIC	0.1uF 50V			< COIL >	
C115	1-164-159-11	CERAMIC	0.1uF 50V	L101	1-408-117-00	INDUCTOR	10uH
C116	1-164-159-11	CERAMIC	0.1uF 50V			< TRANSISTOR >	
C117	1-124-261-00	ELECT	10uF 20% 50V	Q008	8-729-900-63	TRANSISTOR	BN1F4M-TP
C119	1-124-261-00	ELECT	10uF 20% 50V	Q009	8-729-900-63	TRANSISTOR	BN1F4M-TP
C120	1-164-159-11	CERAMIC	0.1uF 50V	Q100	8-729-900-63	TRANSISTOR	BN1F4M-TP
C121	1-128-809-11	CERAMIC	100PF 5% 50V	Q101	8-729-900-36	TRANSISTOR	BA1F4M-TP
C122	1-128-809-11	CERAMIC	100PF 5% 50V	Q103	8-729-119-78	TRANSISTOR	2SC2785TP-HFE
C123	1-164-159-11	CERAMIC	0.1uF 50V	Q104	8-729-900-36	TRANSISTOR	BA1F4M-TP
C124	1-128-809-11	CERAMIC	100PF 5% 50V			< RESISTOR >	
C125	1-162-306-11	CERAMIC	0.01uF 30.00% 16V	R001	1-249-411-11	CARBON	330 5% 1/4W
C126	1-162-306-11	CERAMIC	0.01uF 30.00% 16V	R002	1-249-413-11	CARBON	470 5% 1/4W F
C127	1-164-159-11	CERAMIC	0.1uF 50V	R003	1-249-415-11	CARBON	680 5% 1/4W F
C129	1-124-261-00	ELECT	10uF 20% 50V	R004	1-249-417-11	CARBON	1K 5% 1/4W F
C130	1-164-159-21	CERAMIC	0.1uF 50V	R005	1-249-419-11	CARBON	1.5K 5% 1/4W F
C131	1-124-261-00	ELECT	10uF 20% 50V	R006	1-249-421-11	CARBON	2.2K 5% 1/4W F
C132	1-164-159-11	CERAMIC	0.1uF 50V	R007	1-247-843-11	CARBON	3.3K 5% 1/4W
C134	1-164-159-11	CERAMIC	0.1uF 50V	R008	1-249-425-11	CARBON	4.7K 5% 1/4W F
C198	1-164-159-11	CERAMIC	0.1uF 50V	R011	1-249-411-11	CARBON	330 5% 1/4W
C199	1-164-159-11	CERAMIC	0.1uF 50V	R012	1-249-413-11	CARBON	470 5% 1/4W F
		< CONNECTOR >		R013	1-249-415-11	CARBON	680 5% 1/4W F
* CNP100	1-565-480-11	CONNECTOR, BOARD TO BOARD 4P (US,AEP,UK,CH)		R014	1-249-417-11	CARBON	1K 5% 1/4W F
CNP103	1-794-001-11	CONNECTOR 20P		R015	1-249-419-11	CARBON	1.5K 5% 1/4W F
CNP104	1-794-002-11	CONNECTOR 13P (US,CND,CH)		R016	1-249-421-11	CARBON	2.2K 5% 1/4W F
CNP104	1-794-003-11	CONNECTOR 15P (AEP,AEP,UK)		R017	1-247-843-11	CARBON	3.3K 5% 1/4W
* CNP106	1-564-730-11	PIN, CONNECTOR (SMALL TYPE)14P (US,CND,AEP,UK,AUS,CH)		R018	1-249-425-11	CARBON	4.7K 5% 1/4W F
* CNP107	1-564-518-11	PLUG, CONNECTOR 3P (US,CND,AEP,UK,AUS,CH)		R021	1-249-411-11	CARBON	330 5% 1/4W
* CNS100	1-565-480-11	CONNECTOR, BOARD TO BOARD 4P		R022	1-249-413-11	CARBON	470 5% 1/4W F
* CNS105	1-695-808-11	CONNECTOR, PC BOARD 8P (US)		R023	1-249-415-11	CARBON	680 5% 1/4W F
		< DIODE >		R024	1-249-417-11	CARBON	1K 5% 1/4W F
D002	8-719-046-39	DIODE SEL5821A-TP15		R025	1-249-419-11	CARBON	1.5K 5% 1/4W F
D003	8-719-046-39	DIODE SEL5821A-TP15		R026	1-249-421-11	CARBON	2.2K 5% 1/4W F
D004	8-719-046-39	DIODE SEL5821A-TP15		R027	1-247-843-11	CARBON	3.3K 5% 1/4W
D007	8-719-046-39	DIODE SEL5821A-TP15		R028	1-249-425-11	CARBON	4.7K 5% 1/4W F
D008	8-719-046-39	DIODE SEL5821A-TP15		R029	1-249-429-11	CARBON	10K 5% 1/4W
D009	8-719-046-39	DIODE SEL5821A-TP15		R030	1-249-411-11	CARBON	330 5% 1/4W
D010	8-719-046-39	DIODE SEL5821A-TP15		R031	1-249-413-11	CARBON	470 5% 1/4W F
D011	8-719-072-82	DIODE SELU5E20C-STP15		R032	1-249-415-11	CARBON	680 5% 1/4W F
D014	8-719-075-59	DIODE SELS5B23C-TP15		R033	1-249-417-11	CARBON	1K 5% 1/4W F
D100	8-719-991-33	DIODE 1SS133T-77		R034	1-249-419-11	CARBON	1.5K 5% 1/4W F
D101	8-719-991-33	DIODE 1SS133T-77		R035	1-249-421-11	CARBON	2.2K 5% 1/4W F
D102	8-719-991-33	DIODE 1SS133T-77		R052	1-249-407-11	CARBON	150 5% 1/4W F
D103	8-719-991-33	DIODE 1SS133T-77		R055	1-247-807-31	CARBON	100 5% 1/4W
D109	8-719-991-33	DIODE 1SS133T-77		R056	1-247-807-31	CARBON	100 5% 1/4W
D110	8-719-991-33	DIODE 1SS133T-77		R057	1-247-807-31	CARBON	100 5% 1/4W

DISPLAY

Ref. No.	Part No.	Description	Remarks	Ref. No.	Part No.	Description	Remarks
R058	1-247-807-31	CARBON	100 5% 1/4W	R148	1-247-807-31	CARBON	100 5% 1/4W
R062	1-249-402-11	CARBON	56 5% 1/4W F	R149	1-247-807-31	CARBON	100 5% 1/4W
R064	1-249-407-11	CARBON	150 5% 1/4W F	R150	1-247-807-31	CARBON	100 5% 1/4W
R065	1-249-441-11	CARBON	100K 5% 1/4W	R151	1-247-807-31	CARBON	100 5% 1/4W
R098	1-249-421-11	CARBON	2.2K 5% 1/4W F (AEP,UK,AUS)	R152	1-247-807-31	CARBON	100 5% 1/4W
R098	1-247-843-11	CARBON	3.3K 5% 1/4W (CH)	R153	1-247-807-31	CARBON	100 5% 1/4W
R098	1-249-427-11	CARBON	6.8K 5% 1/4W F (E,MX,AR)	R154	1-249-429-11	CARBON	10K 5% 1/4W
R099	1-249-433-11	CARBON	22K 5% 1/4W (AEP,UK,AUS)	R161	1-249-441-11	CARBON	100K 5% 1/4W
R099	1-249-427-11	CARBON	6.8K 5% 1/4W F (CH)	R162	1-249-441-11	CARBON	100K 5% 1/4W
R099	1-247-843-11	CARBON	3.3K 5% 1/4W (E,MX,AR)	R163	1-249-429-11	CARBON	10K 5% 1/4W
R100	1-247-807-31	CARBON	100 5% 1/4W	R164	1-249-429-11	CARBON	10K 5% 1/4W
R101	1-247-807-31	CARBON	100 5% 1/4W	R165	1-249-440-11	CARBON	82K 5% 1/4W
R102	1-247-807-31	CARBON	100 5% 1/4W	R187	1-249-429-11	CARBON	10K 5% 1/4W
R105	1-249-417-11	CARBON	1K 5% 1/4W F	R188	1-249-429-11	CARBON	10K 5% 1/4W (US,CND,AEP,UK,CH)
R107	1-249-421-11	CARBON	2.2K 5% 1/4W F	△ R198	1-249-377-11	CARBON	0.47 5% 1/4W (US,CND)
R112	1-249-427-11	CARBON	6.8K 5% 1/4W F	△ R199	1-249-377-11	CARBON	0.47 5% 1/4W (US,CND)
R113	1-249-427-11	CARBON	6.8K 5% 1/4W F	< VARIABLE RESISTOR >			
R114	1-249-427-11	CARBON	6.8K 5% 1/4W F	RV102	1-418-773-11	ENCODER, ROTARY (MASTER VOLUME)	
R115	1-249-427-11	CARBON	6.8K 5% 1/4W F	< SWITCH >			
R116	1-249-417-11	CARBON	1K 5% 1/4W F (AEP,UK)	S100	1-762-875-21	SWITCH, TACTILE (TREBLE-)(EXCEPT CND)	
R117	1-249-437-11	CARBON	47K 5% 1/4W	S101	1-762-875-21	SWITCH, TACTILE (TREBLE+)	
R118	1-249-429-11	CARBON	10K 5% 1/4W	S102	1-762-875-21	SWITCH, TACTILE (BASS+)	
R119	1-249-425-11	CARBON	4.7K 5% 1/4W F	S103	1-762-875-21	SWITCH, TACTILE (BASS-)	
R120	1-249-429-11	CARBON	10K 5% 1/4W	S104	1-762-875-21	SWITCH, TACTILE (2CH)	
R121	1-247-899-11	CARBON	680K 5% 1/4W	S105	1-762-875-21	SWITCH, TACTILE (A.F.D.)	
R123	1-249-433-11	CARBON	22K 5% 1/4W	S106	1-762-875-21	SWITCH, TACTILE (MENU-)	
R124	1-249-433-11	CARBON	22K 5% 1/4W	S107	1-762-875-21	SWITCH, TACTILE (MENU+)	
R125	1-247-807-31	CARBON	100 5% 1/4W	S110	1-762-875-21	SWITCH, TACTILE (MENU>)	
R126	1-247-807-31	CARBON	100 5% 1/4W	S111	1-762-875-21	SWITCH, TACTILE (MENU<)	
R127	1-249-429-11	CARBON	10K 5% 1/4W	S112	1-762-875-21	SWITCH, TACTILE (EXEPT AEP,UK:AM)(AEP,UK:FM/AM)	
R128	1-247-807-31	CARBON	100 5% 1/4W	S113	1-762-875-21	SWITCH, TACTILE (EXEPT AEP,UK:FM)(AEP,UK:FM MODE)	
R129	1-247-807-31	CARBON	100 5% 1/4W	S114	1-762-875-21	SWITCH, TACTILE (EXEPT AEP,UK:FM MODE)(AEP,UK:PTY)	
R130	1-247-807-31	CARBON	100 5% 1/4W	S115	1-762-875-21	SWITCH, TACTILE (SHIFT)	
R131	1-247-807-31	CARBON	100 5% 1/4W	S116	1-762-875-21	SWITCH, TACTILE (PRESET TUNING+)	
R132	1-247-807-31	CARBON	100 5% 1/4W	S117	1-762-875-21	SWITCH, TACTILE (PRESET TUNING-)	
R133	1-247-807-31	CARBON	100 5% 1/4W	S118	1-762-875-21	SWITCH, TACTILE (MEMORY)	
R134	1-247-807-31	CARBON	100 5% 1/4W	S120	1-762-875-21	SWITCH, TACTILE (EXEPT AEP,UK:TUNING-)(AEP,UK:PTY SELECT-)	
R135	1-247-807-31	CARBON	100 5% 1/4W	S121	1-762-875-21	SWITCH, TACTILE (EXEPT AEP,UK:TUNING+)(AEP,UK:PTY SELECT+)	
R136	1-247-807-31	CARBON	100 5% 1/4W	S122	1-762-875-21	SWITCH, TACTILE (SETUP)	
R137	1-247-807-31	CARBON	100 5% 1/4W	S123	1-762-875-21	SWITCH, TACTILE (NAME)	
R138	1-249-421-11	CARBON	2.2K 5% 1/4W F	S124	1-762-875-21	SWITCH, TACTILE (ENTER)	
R139	1-247-807-31	CARBON	100 5% 1/4W	S125	1-762-875-21	SWITCH, TACTILE (LEVEL)	
R140	1-247-807-31	CARBON	100 5% 1/4W	S126	1-762-875-21	SWITCH, TACTILE (SUR)	
R141	1-247-807-31	CARBON	100 5% 1/4W	S127	1-762-875-21	SWITCH, TACTILE (DVD/LD)	
R142	1-247-807-31	CARBON	100 5% 1/4W				
R143	1-247-807-31	CARBON	100 5% 1/4W				
R144	1-249-429-11	CARBON	10K 5% 1/4W				
R145	1-247-807-31	CARBON	100 5% 1/4W				
R146	1-247-807-31	CARBON	100 5% 1/4W				
R147	1-247-807-31	CARBON	100 5% 1/4W				

<p>The components identified by mark △ or dotted line with mark △ are critical for safety. Replace only with part number specified.</p>	<p>Les composants identifiés par une marque △ sont critiques pour la sécurité. Ne les remplacer que par une pièce portant le numéro spécifié.</p>	<p>以阴影和 △ 标志来识别的零部件，在安全方面具有关键性。因此只能以规定号码的零部件来更换。</p>
---	---	--

DISPLAY

HP

MAIN

Ref. No.	Part No.	Description	Remarks	Ref. No.	Part No.	Description	Remarks
S128	1-762-875-21	SWITCH, TACTILE (VIDEO)		C308	1-128-805-11	CERAMIC	47PF 5% 50V (AEP,UK)
S129	1-762-875-21	SWITCH, TACTILE (MD/TAPE)		C309	1-126-795-11	ELECT	10uF 20.00% 50V (AEP,UK)
S130	1-762-875-21	SWITCH, TACTILE (MODE)		C310	1-164-159-11	CERAMIC	0.1uF 50V (AEP,UK)
S131	1-762-875-21	SWITCH, TACTILE (MUTING)		C320	1-164-159-11	CERAMIC	0.1uF 50V
S132	1-762-875-21	SWITCH, TACTILE (MULTI CH IN)		C321	1-164-159-11	CERAMIC	0.1uF 50V
S133	1-762-875-21	SWITCH, TACTILE (INPUT MODE)		C322	1-164-159-11	CERAMIC	0.1uF 50V
S134	1-762-875-21	SWITCH, TACTILE (TV/SAT)		C323	1-128-813-11	CERAMIC	220PF 5% 50V
S135	1-762-875-21	SWITCH, TACTILE (CD)		C324	1-128-813-11	CERAMIC	220PF 5% 50V
S136	1-762-875-21	SWITCH, TACTILE (TUNER)		C371	1-128-809-11	CERAMIC	100PF 5% 50V
		< VIBRATOR >		C372	1-128-809-11	CERAMIC	100PF 5% 50V
X101	1-781-356-21	VIBRATOR, CERAMIC 16MHz		C373	1-128-809-11	CERAMIC	100PF 5% 50V
*****							
	1-681-429-11	HP BOARD		C374	1-128-809-11	CERAMIC	100PF 5% 50V
		*****		C375	1-128-809-11	CERAMIC	100PF 5% 50V
		< CAPACITOR >		C376	1-128-809-11	CERAMIC	100PF 5% 50V
C790	1-164-159-11	CERAMIC	0.1uF 50V	C402	1-126-795-11	ELECT	10uF 20.00% 50V
		< CONNECTOR >		C404	1-126-795-11	ELECT	10uF 20.00% 50V
CNP791	1-564-505-11	PLUG, CONNECTOR 2P		C405	1-126-795-11	ELECT	10uF 20.00% 50V
CNP792	1-691-765-11	PLUG (MICRO CONNECTOR) 3P		C406	1-126-795-11	ELECT	10uF 20.00% 50V
		< DIODE >		C408	1-126-795-11	ELECT	10uF 20.00% 50V
D790	8-719-084-16	DIODE RD5.6F-T8B2		C409	1-126-795-11	ELECT	10uF 20.00% 50V
		< JACK >		C410	1-126-795-11	ELECT	10uF 20.00% 50V
J791	1-815-314-21	JACK (PHONES)(EXCEPT CH)		C411	1-164-159-11	CERAMIC	0.1uF 50V
J791	1-815-313-21	JACK (PHONES)(CH:BLACK)(CH)		C412	1-130-481-00	MYLAR	0.0068uF 5% 50V
*****							
A-2007-941-A	MAIN BOARD, COMPLETE (US)						
*****							
A-2007-949-A	MAIN BOARD, COMPLETE (CND)						
*****							
A-2007-951-A	MAIN BOARD, COMPLETE (AEP,UK)						
*****							
A-2007-954-A	MAIN BOARD, COMPLETE (AUS,CH,MX,AR)						
*****							
A-4725-730-A	MAIN BOARD, COMPLETE (E)						
*****							
7-685-645-79	SCREW +BVTP	3X6	TYPE2 N-S	C416	1-136-165-00	FILM	0.1uF 5.00% 50V
		< CAPACITOR >		C417	1-136-165-00	FILM	0.1uF 5.00% 50V
C303	1-128-817-11	CERAMIC	470PF 5% 50V (AEP,UK)	C418	1-126-795-11	ELECT	10uF 20.00% 50V
C304	1-126-795-11	ELECT	10uF 20.00% 50V (AEP,UK)	C419	1-126-963-11	ELECT	4.7uF 20.00% 50V
C305	1-164-159-11	CERAMIC	0.1uF 50V (AEP,UK)	C420	1-126-795-11	ELECT	10uF 20.00% 50V
C306	1-128-821-31	CERAMIC	1000PF 5% 50V (AEP,UK)	C421	1-126-795-11	ELECT	10uF 20.00% 50V
C307	1-128-805-11	CERAMIC	47PF 5% 50V (AEP,UK)	C425	1-126-795-11	ELECT	10uF 20.00% 50V
				C428	1-126-963-11	ELECT	4.7uF 20.00% 50V
				C429	1-164-159-11	CERAMIC	0.1uF 50V
				C430	1-164-159-11	CERAMIC	0.1uF 50V (US,CND)
				C431	1-128-809-11	CERAMIC	100PF 5% 50V
				C432	1-128-809-11	CERAMIC	100PF 5% 50V
				C433	1-128-809-11	CERAMIC	100PF 5% 50V
				C434	1-126-965-11	ELECT	22uF 20.00% 50V
				C441	1-164-159-11	CERAMIC	0.1uF 50V
				C442	1-164-159-11	CERAMIC	0.1uF 50V
				C452	1-126-795-11	ELECT	10uF 20.00% 50V
				C454	1-126-795-11	ELECT	10uF 20.00% 50V
				C455	1-126-795-11	ELECT	10uF 20.00% 50V
				C456	1-126-795-11	ELECT	10uF 20.00% 50V
				C457	1-126-795-11	ELECT	10uF 20.00% 50V
				C458	1-126-795-11	ELECT	10uF 20.00% 50V
				C459	1-126-795-11	ELECT	10uF 20.00% 50V
				C460	1-126-795-11	ELECT	10uF 20.00% 50V
				C461	1-126-963-11	ELECT	4.7uF 20.00% 50V

## MAIN

Ref. No.	Part No.	Description	Remarks			Ref. No.	Part No.	Description	Remarks		
C462	1-130-481-00	MYLAR	0.0068uF	5%	50V	C661	1-136-157-00	FILM	0.022uF	5.00%	50V
C463	1-136-495-11	FILM	0.068uF	5.00%	50V	C670	1-128-813-11	CERAMIC	220PF	5%	50V
C464	1-130-481-00	MYLAR	0.0068uF	5%	50V	C701	1-126-963-11	ELECT	4.7uF	20.00%	50V
C465	1-126-795-11	ELECT	10uF	20.00%	50V	C703	1-104-665-11	ELECT	100uF	20.00%	10V
C466	1-136-165-00	FILM	0.1uF	5.00%	50V	C704	1-107-583-11	CERAMIC	3PF	0.25PF	500V
C467	1-136-165-00	FILM	0.1uF	5.00%	50V	C705	1-102-233-00	CERAMIC	33PF	10.00%	500V
C468	1-126-795-11	ELECT	10uF	20.00%	50V	C706	1-128-809-11	CERAMIC	100PF	5%	50V
C469	1-126-795-11	ELECT	10uF	20.00%	50V	C707	1-128-809-11	CERAMIC	100PF	5%	50V
C470	1-126-795-11	ELECT	10uF	20.00%	50V	C710	1-104-664-11	ELECT	47uF	20.00%	16V
C471	1-126-963-11	ELECT	4.7uF	20.00%	50V	C711	1-136-157-00	FILM	0.022uF	5.00%	50V
C472	1-126-963-11	ELECT	4.7uF	20.00%	50V	C720	1-128-813-11	CERAMIC	220PF	5%	50V
C473	1-126-963-11	ELECT	4.7uF	20.00%	50V	C721	1-126-934-11	ELECT	220uF	20.00%	10V
C474	1-126-963-11	ELECT	4.7uF	20.00%	50V	C722	1-126-795-11	ELECT	10uF	20.00%	50V
C475	1-126-963-11	ELECT	4.7uF	20.00%	50V	C724	1-126-160-11	ELECT	1uF	20%	50V
C476	1-126-963-11	ELECT	4.7uF	20.00%	50V	C726	1-127-876-31	CERAMIC	0.01uF	10%	50V
C477	1-126-963-11	ELECT	4.7uF	20.00%	50V	C734	1-126-160-11	ELECT	1uF	20%	50V
C484	1-126-965-11	ELECT	22uF	20.00%	50V	C736	1-127-876-31	CERAMIC	0.01uF	10%	50V
C491	1-128-803-11	CERAMIC	33PF	5%	50V	C740	1-128-582-11	ELECT	10uF	20.00%	100V
C492	1-128-803-11	CERAMIC	33PF	5%	50V	C741	1-128-582-11	ELECT	10uF	20.00%	100V
C493	1-128-803-11	CERAMIC	33PF	5%	50V	C751	1-126-963-11	ELECT	4.7uF	20.00%	50V
C494	1-128-803-11	CERAMIC	33PF	5%	50V	C753	1-104-665-11	ELECT	100uF	20.00%	10V
C495	1-128-803-11	CERAMIC	33PF	5%	50V	C754	1-107-583-11	CERAMIC	3PF	0.25PF	500V
C496	1-128-803-11	CERAMIC	33PF	5%	50V	C755	1-102-233-00	CERAMIC	33PF	10.00%	500V
C497	1-128-803-11	CERAMIC	33PF	5%	50V	C756	1-128-809-11	CERAMIC	100PF	5%	50V
C498	1-128-803-11	CERAMIC	33PF	5%	50V	C757	1-128-809-11	CERAMIC	100PF	5%	50V
C499	1-126-795-11	ELECT	10uF	20.00%	50V	C760	1-104-664-11	ELECT	47uF	20.00%	16V
C501	1-126-963-11	ELECT	4.7uF	20.00%	50V	C761	1-136-157-00	FILM	0.022uF	5.00%	50V
C502	1-128-809-11	CERAMIC	100PF	5%	50V	C770	1-128-813-11	CERAMIC	220PF	5%	50V
C503	1-102-989-00	CERAMIC	68PF	5.00%	500V	C801	1-126-947-11	ELECT	47uF	20.00%	35V
C504	1-102-989-00	CERAMIC	68PF	5.00%	500V	C802	1-126-947-11	ELECT	47uF	20.00%	35V
C505	1-104-665-11	ELECT	100uF	20.00%	10V	C803	1-128-493-11	ELECT	4700uF	20.00%	63V
C506	1-107-583-11	CERAMIC	3PF	0.25PF	500V	C804	1-128-493-11	ELECT	4700uF	20.00%	63V
C510	1-104-664-11	ELECT	47uF	20.00%	25V	C805	1-130-781-00	MYLAR	0.22uF	5.00%	100V
C511	1-136-157-00	FILM	0.022uF	5.00%	50V	C806	1-130-781-00	MYLAR	0.22uF	5.00%	100V
C520	1-128-813-11	CERAMIC	220PF	5%	50V	C807	1-104-665-11	ELECT	100uF	20.00%	10V
C524	1-126-160-11	ELECT	1uF	20%	50V	C808	1-104-665-11	ELECT	100uF	20.00%	10V
C526	1-127-876-31	CERAMIC	0.01uF	10%	50V	C810	1-136-165-00	FILM	0.1uF	5.00%	50V
C601	1-126-963-11	ELECT	4.7uF	20.00%	50V	C811	1-126-943-11	ELECT	2200uF	20.00%	25V
C603	1-104-665-11	ELECT	100uF	20.00%	10V	C812	1-126-941-11	ELECT	470uF	20.00%	25V
C604	1-107-583-11	CERAMIC	3PF	0.25PF	500V	△C813	1-164-159-11	CERAMIC	0.1uF		50V
C605	1-102-233-00	CERAMIC	33PF	10.00%	500V	△C814	1-164-159-11	CERAMIC	0.1uF		50V
C606	1-128-809-11	CERAMIC	100PF	5%	50V	C815	1-126-960-11	ELECT	1uF	20.00%	50V
C607	1-128-809-11	CERAMIC	100PF	5%	50V	C816	1-104-664-11	ELECT	47uF	20.00%	25V
C610	1-104-664-11	ELECT	47uF	20.00%	16V	C817	1-126-936-11	ELECT	3300uF	20.00%	16V
C611	1-136-157-00	FILM	0.022uF	5.00%	50V	C818	1-104-664-11	ELECT	47uF	20.00%	25V
C620	1-128-813-11	CERAMIC	220PF	5%	50V	C825	1-136-165-00	FILM	0.1uF	5.00%	50V
C624	1-126-160-11	ELECT	1uF	20%	50V	C826	1-104-664-11	ELECT	47uF	20.00%	25V
C626	1-127-876-31	CERAMIC	0.01uF	10%	50V	C827	1-104-664-11	ELECT	47uF	20.00%	25V
C651	1-126-963-11	ELECT	4.7uF	20.00%	50V	C896	1-104-664-11	ELECT	47uF	20.00%	16V
C653	1-104-665-11	ELECT	100uF	20.00%	10V	C897	1-136-165-00	FILM	0.1uF	5.00%	50V
C654	1-107-583-11	CERAMIC	3PF	0.25PF	500V	C898	1-126-949-11	ELECT	220uF	20.00%	35V
C655	1-102-233-00	CERAMIC	33PF	10.00%	500V	C899	1-126-948-11	ELECT	100uF	20.00%	35V
C656	1-128-809-11	CERAMIC	100PF	5%	50V	C922	1-164-159-11	CERAMIC	0.1uF		50V
C657	1-128-809-11	CERAMIC	100PF	5%	50V	C923	1-164-159-11	CERAMIC	0.1uF		50V
C660	1-104-664-11	ELECT	47uF	20.00%	16V	CC02	1-128-809-11	CERAMIC	100PF	5%	50V

(UK, AEP, AUS, CH)

The components identified by mark △ or dotted line with mark △ are critical for safety. Replace only with part number specified.

Les composants identifiés par une marque △ sont critiques pour la sécurité. Ne les remplacer que par une pièce portant le numéro spécifié.

以阴影和 △ 标志来识别的零部件，在安全方面具有关键性。因此只能以规定号码的零部件来更换。



Ref. No.	Part No.	Description	Remarks	Ref. No.	Part No.	Description	Remarks
CC03	1-128-809-11	CERAMIC	100PF 5% 50V (UK,AEP,AUS,CH)			< DIODE >	
CC04	1-128-809-11	CERAMIC	100PF 5% 50V (UK,AEP,AUS,CH)	D505	8-719-991-33	DIODE 1SS133T-77	
CC05	1-128-809-11	CERAMIC	100PF 5% 50V (UK,AEP,AUS,CH)	D506	8-719-991-33	DIODE 1SS133T-77	
CC06	1-128-809-11	CERAMIC	100PF 5% 50V (UK,AEP,AUS,CH)	D508	8-719-991-33	DIODE 1SS133T-77	
CC07	1-128-809-11	CERAMIC	100PF 5% 50V (UK,AEP,AUS,CH)	D510	8-719-991-33	DIODE 1SS133T-77	
CC08	1-128-809-11	CERAMIC	100PF 5% 50V (UK,AEP,AUS,CH)	D560	8-719-991-33	DIODE 1SS133T-77	
CC09	1-128-809-11	CERAMIC	100PF 5% 50V (UK,AEP,AUS,CH)	D605	8-719-991-33	DIODE 1SS133T-77	
CC10	1-128-809-11	CERAMIC	100PF 5% 50V (UK,AEP,AUS,CH)	D606	8-719-991-33	DIODE 1SS133T-77	
CC11	1-128-809-11	CERAMIC	100PF 5% 50V (UK,AEP,AUS,CH)	D607	8-719-991-33	DIODE 1SS133T-77	
CC12	1-127-876-31	CERAMIC	0.01uF 10% 50V (UK,AEP,AUS,CH)	D610	8-719-991-33	DIODE 1SS133T-77	
CC14	1-127-876-31	CERAMIC	0.01uF 10% 50V (UK,AEP,AUS,CH)	D617	8-719-991-33	DIODE 1SS133T-77	
CC16	1-127-876-31	CERAMIC	0.01uF 10% 50V (UK,AEP,AUS,CH)	D627	8-719-991-33	DIODE 1SS133T-77	
CC18	1-127-876-31	CERAMIC	0.01uF 10% 50V (UK,AEP,AUS,CH)	D706	8-719-991-33	DIODE 1SS133T-77	
CC20	1-127-876-31	CERAMIC	0.01uF 10% 50V (UK,AEP,AUS,CH)	D710	8-719-991-33	DIODE 1SS133T-77	
CC51	1-128-809-11	CERAMIC	100PF 5% 50V (UK,AEP,AUS,CH)	D721	8-719-991-33	DIODE 1SS133T-77	
CC52	1-128-809-11	CERAMIC	100PF 5% 50V (UK,AEP,AUS,CH)	D722	8-719-991-33	DIODE 1SS133T-77	
CC53	1-128-809-11	CERAMIC	100PF 5% 50V (UK,AEP,AUS,CH)	D725	8-719-991-33	DIODE 1SS133T-77	
CC54	1-128-809-11	CERAMIC	100PF 5% 50V (UK,AEP,AUS,CH)	D726	8-719-991-33	DIODE 1SS133T-77	
CC55	1-128-809-11	CERAMIC	100PF 5% 50V (UK,AEP,AUS,CH)	D727	8-719-991-33	DIODE 1SS133T-77	
CC56	1-128-809-11	CERAMIC	100PF 5% 50V (UK,AEP,AUS,CH)	D728	8-719-991-33	DIODE 1SS133T-77	
CC57	1-128-809-11	CERAMIC	100PF 5% 50V (UK,AEP,AUS,CH)	D731	8-719-991-33	DIODE 1SS133T-77	
CC58	1-128-809-11	CERAMIC	100PF 5% 50V (UK,AEP,AUS,CH)	D732	8-719-991-33	DIODE 1SS133T-77	
CC59	1-128-809-11	CERAMIC	100PF 5% 50V (UK,AEP,AUS,CH)	D734	8-719-991-33	DIODE 1SS133T-77	
CC60	1-128-809-11	CERAMIC	100PF 5% 50V (UK,AEP,AUS,CH)	D735	8-719-991-33	DIODE 1SS133T-77	
CC61	1-128-809-11	CERAMIC	100PF 5% 50V (UK,AEP,AUS,CH)	D757	8-719-991-33	DIODE 1SS133T-77	
				D791	8-719-991-33	DIODE 1SS133T-77	
				D801	8-719-934-21	DIODE HZS30-1LTA	
				△ D802	8-719-072-05	DIODE RBV-602LF-A	
				D804	8-719-084-16	DIODE RD5.6F-T8B2 (EXCEPT E)	
				D804	8-719-118-63	DIODE RD5.6F-T7B2 (E)	
				D820	8-719-200-82	DIODE 11ES2-NTA1B	
				D821	8-719-200-82	DIODE 11ES2-NTA1B	
				D822	8-719-200-82	DIODE 11ES2-NTA1B	
				D823	8-719-200-82	DIODE 11ES2-NTA1B	
				D824	8-719-200-82	DIODE 11ES2-NTA1B	
				D825	8-719-200-82	DIODE 11ES2-NTA1B	
				D826	8-719-200-82	DIODE 11ES2-NTA1B	
				D827	8-719-200-82	DIODE 11ES2-NTA1B	
				D833	8-719-043-76	DIODE AK04V0	
				D896	8-719-043-76	DIODE AK04V0	
				△ D898	8-719-200-82	DIODE 11ES2-NTA1B	
				D899	8-719-200-82	DIODE 11ES2-NTA1B	
						< EARTH >	
				* G401	1-537-738-21	TERMINAL, EARTH	
				* G801	1-537-738-21	TERMINAL, EARTH	
						< IC >	
				IC201	8-759-655-38	IC M61501FP	
				IC301	8-759-557-36	IC BU1924F-E2 (AEP,UK)	
				IC401	8-759-636-74	IC M5218AP-22	
				IC402	8-759-636-74	IC M5218AP-22	
				IC403	8-759-636-74	IC M5218AP-22	
						< CONNECTOR >	
CNP301	1-794-002-11	CONNECTOR 13P (UK,AEP,AUS,CH)					
* CNP791	1-564-705-11	PIN, CONNECTOR (SMALL TYPE) 3P					
* CNP801	1-564-104-00	PIN, CONNECTOR (B3P-VH) 3P					
CNP802	1-691-770-11	PLUG (MICRO CONNECTOR) 8P					
CNS401	1-569-321-11	SOCKET, CONNECTOR 15P					

The components identified by mark △ or dotted line with mark △ are critical for safety. Replace only with part number specified.

Les composants identifiés par une marque △ sont critiques pour la sécurité. Ne les remplacer que par une pièce portant le numéro spécifié.

以阴影和 △ 标志来识别的零部件，在安全方面具有关键性。因此只能以规定号码的零部件来更换。

## MAIN

Ref. No.	Part No.	Description	Remarks	Ref. No.	Part No.	Description	Remarks
IC404	8-759-636-74	IC M5218AP-22		Q657	8-729-900-63	TRANSISTOR	BN1F4M-TP
IC501	8-749-011-16	IC STK350-230		Q658	8-729-281-53	TRANSISTOR	2SC1815GR-TPE2
IC701	8-759-326-52	IC uPC2581V		Q659	8-729-900-63	TRANSISTOR	BN1F4M-TP
IC702	8-759-326-52	IC uPC2581V		Q691	8-729-281-53	TRANSISTOR	2SC1815GR-TPE2
IC801	8-759-605-00	IC M5F78M07L		Q692	8-729-900-36	TRANSISTOR	BA1F4M-TP (E)
IC802	8-759-604-95	IC M5F79M07L		Q693	8-729-281-53	TRANSISTOR	2SC1815GR-TPE2 (E)
IC803	8-759-039-69	IC uPC7805AHF		Q694	8-729-900-36	TRANSISTOR	BA1F4M-TP (E)
IC804	8-759-039-69	IC uPC7805AHF		Q695	8-729-201-53	TRANSISTOR	2SA1015TP-YGR (E)
IC806	8-759-376-91	IC uPC78M12AHF		Q696	8-729-900-63	TRANSISTOR	BN1F4M-TP (E)
IC807	8-759-708-05	IC NJM78L05A-T3		Q697	8-729-900-36	TRANSISTOR	BA1F4M-TP (E)
		< JACK >		Q701	8-729-119-76	TRANSISTOR	2SA1115TP-EF
J253	1-774-843-11	JACK, PIN 1P (AUDIO OUT(SUB WOOFER))		Q702	8-729-141-30	TRANSISTOR	2SC3623ATP-LK
J401	1-770-614-11	JACK, PIN 4P (CD IN,MD/TAPE OUT)		Q703	8-749-010-25	TRANSISTOR	MN2488-OPY-M
J402	1-770-613-11	JACK, PIN 4P (MD/TAPE IN,AUDIO IN(TV/SAT))		Q704	8-749-010-26	TRANSISTOR	MP1620-OPY-M
J403	1-580-825-11	JACK, PIN 6P (AUDIO IN(DVD/LD), AUDIO OUT(VIDEO),AUDIO IN(VIDEO))		Q705	8-729-140-82	TRANSISTOR	2SA988TP-PAFAEA
J501	1-779-380-11	JACK, PIN 6P (MULTI CH IN)		Q706	8-729-140-82	TRANSISTOR	2SA988TP-PAFAEA
		< COIL >		Q707	8-729-900-63	TRANSISTOR	BN1F4M-TP
L301	1-408-080-00	INDUCTOR 100uH (AEP,UK)		Q708	8-729-900-63	TRANSISTOR	BN1F4M-TP
L521	1-420-872-00	COIL, AIR-CORE		Q709	8-729-281-53	TRANSISTOR	2SC1815GR-TPE2
L601	1-420-872-00	COIL, AIR-CORE		Q722	8-729-140-84	TRANSISTOR	2SC1841TP-PAFAEA
L651	1-420-872-00	COIL, AIR-CORE		Q723	8-729-119-79	TRANSISTOR	2SC2785TP-FEK
L701	1-420-872-00	COIL, AIR-CORE		Q725	8-729-140-82	TRANSISTOR	2SA988TP-PAFAEA
L751	1-420-872-00	COIL, AIR-CORE		Q730	8-729-119-79	TRANSISTOR	2SC2785TP-FEK
		< TRANSISTOR >		Q747	8-729-900-63	TRANSISTOR	BN1F4M-TP
Q361	8-729-823-22	TRANSISTOR 2SC3576-AC		Q748	8-729-900-36	TRANSISTOR	BA1F4M-TP
Q362	8-729-823-22	TRANSISTOR 2SC3576-AC		Q751	8-729-119-76	TRANSISTOR	2SA1115TP-EF
Q363	8-729-823-22	TRANSISTOR 2SC3576-AC		Q752	8-729-141-30	TRANSISTOR	2SC3623ATP-LK
Q364	8-729-823-22	TRANSISTOR 2SC3576-AC		Q753	8-749-010-25	TRANSISTOR	MN2488-OPY-M
Q365	8-729-823-22	TRANSISTOR 2SC3576-AC		Q754	8-749-010-26	TRANSISTOR	MP1620-OPY-M
Q366	8-729-823-22	TRANSISTOR 2SC3576-AC		Q755	8-729-140-82	TRANSISTOR	2SA988TP-PAFAEA
Q379	8-729-900-63	TRANSISTOR BN1F4M-TP		Q756	8-729-140-82	TRANSISTOR	2SA988TP-PAFAEA
Q501	8-729-119-76	TRANSISTOR 2SA1115TP-EF		Q757	8-729-900-63	TRANSISTOR	BN1F4M-TP
Q502	8-729-141-30	TRANSISTOR 2SC3623ATP-LK		Q758	8-729-281-53	TRANSISTOR	2SC1815GR-TPE2
Q503	8-749-010-25	TRANSISTOR MN2488-OPY-M		Q759	8-729-900-63	TRANSISTOR	BN1F4M-TP
Q504	8-749-010-26	TRANSISTOR MP1620-OPY-M		Q791	8-729-119-79	TRANSISTOR	2SC2785TP-FEK
Q505	8-729-140-82	TRANSISTOR 2SA988TP-PAFAEA		Q801	8-729-140-97	TRANSISTOR	2SB734-T-34
Q506	8-729-140-82	TRANSISTOR 2SA988TP-PAFAEA				< RESISTOR >	
Q507	8-729-900-63	TRANSISTOR BN1F4M-TP		R305	1-249-421-11	CARBON	2.2K 5% 1/4W F (AEP,UK)
Q509	8-729-281-53	TRANSISTOR 2SC1815GR-TPE2		R306	1-247-807-31	CARBON	100 5% 1/4W (AEP,UK)
Q550	8-729-119-79	TRANSISTOR 2SC2785TP-FEK		R307	1-247-807-31	CARBON	100 5% 1/4W (AEP,UK)
Q560	8-729-119-79	TRANSISTOR 2SC2785TP-FEK		R326	1-249-436-11	CARBON	39K 5% 1/4W
Q601	8-729-119-76	TRANSISTOR 2SA1115TP-EF		R327	1-249-436-11	CARBON	39K 5% 1/4W
Q602	8-729-141-30	TRANSISTOR 2SC3623ATP-LK		R328	1-249-433-11	CARBON	22K 5% 1/4W
Q603	8-749-010-25	TRANSISTOR MN2488-OPY-M		R360	1-249-437-11	CARBON	47K 5% 1/4W
Q604	8-749-010-26	TRANSISTOR MP1620-OPY-M		R361	1-249-429-11	CARBON	10K 5% 1/4W
Q605	8-729-140-82	TRANSISTOR 2SA988TP-PAFAEA		R362	1-249-429-11	CARBON	10K 5% 1/4W
Q606	8-729-140-82	TRANSISTOR 2SA988TP-PAFAEA		R363	1-249-437-11	CARBON	47K 5% 1/4W
Q610	8-729-119-79	TRANSISTOR 2SC2785TP-FEK		R366	1-249-429-11	CARBON	10K 5% 1/4W
Q651	8-729-119-76	TRANSISTOR 2SA1115TP-EF		R367	1-249-437-11	CARBON	47K 5% 1/4W
Q652	8-729-141-30	TRANSISTOR 2SC3623ATP-LK		R368	1-249-437-11	CARBON	47K 5% 1/4W
Q653	8-749-010-25	TRANSISTOR MN2488-OPY-M		R369	1-249-429-11	CARBON	10K 5% 1/4W
Q654	8-749-010-26	TRANSISTOR MP1620-OPY-M		R370	1-249-429-11	CARBON	10K 5% 1/4W
Q655	8-729-140-82	TRANSISTOR 2SA988TP-PAFAEA					
Q656	8-729-140-82	TRANSISTOR 2SA988TP-PAFAEA					

Ref. No.	Part No.	Description	Quantity	Material	Remarks	Ref. No.	Part No.	Description	Quantity	Material	Remarks
R371	1-249-437-11	CARBON	47K	5%	1/4W	R469	1-249-417-11	CARBON	1K	5%	1/4W F
R372	1-249-437-11	CARBON	47K	5%	1/4W	R470	1-249-437-11	CARBON	47K	5%	1/4W
R373	1-247-807-31	CARBON	100	5%	1/4W	R471	1-249-431-11	CARBON	15K	5%	1/4W
R374	1-247-807-31	CARBON	100	5%	1/4W	R472	1-249-429-11	CARBON	10K	5%	1/4W
R375	1-247-807-31	CARBON	100	5%	1/4W	R473	1-249-421-11	CARBON	2.2K	5%	1/4W F
R376	1-247-807-31	CARBON	100	5%	1/4W	R474	1-249-429-11	CARBON	10K	5%	1/4W
R377	1-247-807-31	CARBON	100	5%	1/4W	R475	1-249-429-11	CARBON	10K	5%	1/4W
R378	1-247-807-31	CARBON	100	5%	1/4W	R476	1-249-429-11	CARBON	10K	5%	1/4W
R379	1-249-429-11	CARBON	10K	5%	1/4W	R477	1-249-429-11	CARBON	10K	5%	1/4W
R380	1-249-441-11	CARBON	100K	5%	1/4W	R478	1-249-429-11	CARBON	10K	5%	1/4W
R381	1-249-429-11	CARBON	10K	5%	1/4W	R479	1-249-429-11	CARBON	10K	5%	1/4W
R402	1-249-417-11	CARBON	1K	5%	1/4W F	R480	1-247-843-11	CARBON	3.3K	5%	1/4W
R403	1-249-417-11	CARBON	1K	5%	1/4W F	R481	1-249-429-11	CARBON	10K	5%	1/4W
R404	1-249-417-11	CARBON	1K	5%	1/4W F	R482	1-247-843-11	CARBON	3.3K	5%	1/4W
R405	1-249-417-11	CARBON	1K	5%	1/4W F	R483	1-249-429-11	CARBON	10K	5%	1/4W
R406	1-249-417-11	CARBON	1K	5%	1/4W F	R484	1-247-843-11	CARBON	3.3K	5%	1/4W
R407	1-249-417-11	CARBON	1K	5%	1/4W F	R485	1-249-429-11	CARBON	10K	5%	1/4W
R408	1-249-417-11	CARBON	1K	5%	1/4W F	R486	1-247-843-11	CARBON	3.3K	5%	1/4W
R409	1-249-417-11	CARBON	1K	5%	1/4W F	R487	1-249-437-11	CARBON	47K	5%	1/4W
R410	1-249-417-11	CARBON	1K	5%	1/4W F	R488	1-249-437-11	CARBON	47K	5%	1/4W
R411	1-249-417-11	CARBON	1K	5%	1/4W F	R489	1-249-437-11	CARBON	47K	5%	1/4W
R412	1-249-437-11	CARBON	47K	5%	1/4W	R490	1-249-437-11	CARBON	47K	5%	1/4W
R413	1-249-437-11	CARBON	47K	5%	1/4W	R491	1-249-437-11	CARBON	47K	5%	1/4W
R416	1-249-429-11	CARBON	10K	5%	1/4W	R492	1-249-437-11	CARBON	47K	5%	1/4W
R422	1-249-437-11	CARBON	47K	5%	1/4W	R499	1-249-437-11	CARBON	47K	5%	1/4W
R424	1-249-437-11	CARBON	47K	5%	1/4W	R501	1-249-417-11	CARBON	1K	5%	1/4W F
R425	1-249-437-11	CARBON	47K	5%	1/4W	R502	1-249-439-11	CARBON	68K	5%	1/4W
R426	1-249-437-11	CARBON	47K	5%	1/4W	R503	1-249-414-11	CARBON	560	5%	1/4W F
R428	1-249-437-11	CARBON	47K	5%	1/4W	R504	1-249-411-11	CARBON	330	5%	1/4W
R431	1-249-437-11	CARBON	47K	5%	1/4W						(EXCEPT AEP,UK)
R432	1-249-437-11	CARBON	47K	5%	1/4W	R504	1-249-410-11	CARBON	270	5%	1/4W F
R433	1-249-437-11	CARBON	47K	5%	1/4W						(AEP,UK)
R434	1-249-437-11	CARBON	47K	5%	1/4W	R505	1-249-439-11	CARBON	68K	5%	1/4W
R442	1-249-437-11	CARBON	47K	5%	1/4W	R507	1-249-433-11	CARBON	22K	5%	1/4W
R444	1-249-437-11	CARBON	47K	5%	1/4W	R510	1-249-421-11	CARBON	2.2K	5%	1/4W F
R445	1-249-437-11	CARBON	47K	5%	1/4W	R511	1-249-437-11	CARBON	47K	5%	1/4W
R446	1-249-437-11	CARBON	47K	5%	1/4W	R513	1-249-414-11	CARBON	560	5%	1/4W F
R447	1-249-437-11	CARBON	47K	5%	1/4W	△ R514	1-249-408-11	CARBON	180	5%	1/4W F
R448	1-249-437-11	CARBON	47K	5%	1/4W	△ R515	1-249-408-11	CARBON	180	5%	1/4W F
R452	1-249-417-11	CARBON	1K	5%	1/4W F	△ R516	1-234-182-11	ENCAPSULATED COMPONENT			
R453	1-249-417-11	CARBON	1K	5%	1/4W F	△ R517	1-249-393-11	CARBON	10	5%	1/4W F
R454	1-249-417-11	CARBON	1K	5%	1/4W F	R520	1-249-425-11	CARBON	4.7K	5%	1/4W F
R455	1-249-417-11	CARBON	1K	5%	1/4W F	R521	1-247-850-11	CARBON	6.2K	5%	1/4W
R456	1-249-417-11	CARBON	1K	5%	1/4W F	R522	1-249-419-11	CARBON	1.5K	5%	1/4W F
R457	1-249-417-11	CARBON	1K	5%	1/4W F	△ R528	1-249-386-11	CARBON	2.7	5%	1/6W F
R458	1-249-417-11	CARBON	1K	5%	1/4W F	R529	1-247-866-11	CARBON	30K	5%	1/4W
R459	1-249-417-11	CARBON	1K	5%	1/4W F	R530	1-249-425-11	CARBON	4.7K	5%	1/4W F
R460	1-249-417-11	CARBON	1K	5%	1/4W F	R531	1-249-425-11	CARBON	4.7K	5%	1/4W F
R461	1-249-417-11	CARBON	1K	5%	1/4W F	R532	1-249-425-11	CARBON	4.7K	5%	1/4W F
R463	1-249-437-11	CARBON	47K	5%	1/4W	R533	1-249-437-11	CARBON	47K	5%	1/4W
R464	1-249-437-11	CARBON	47K	5%	1/4W	R535	1-249-431-11	CARBON	15K	5%	1/4W
R465	1-249-437-11	CARBON	47K	5%	1/4W	R539	1-249-422-11	CARBON	2.7K	5%	1/4W F
R466	1-249-429-11	CARBON	10K	5%	1/4W						(US,CND)
R467	1-249-437-11	CARBON	47K	5%	1/4W						
R468	1-249-437-11	CARBON	47K	5%	1/4W						

The components identified by mark △ or dotted line with mark △ are critical for safety. Replace only with part number specified.

Les composants identifiés par une marque △ sont critiques pour la sécurité. Ne les remplacer que par une pièce portant le numéro spécifié.

以阴影和 △ 标志来识别的零部件，在安全方面具有关键性。因此只能以规定号码的零部件来更换。

MAIN

Ref. No.	Part No.	Description	Quantity	Material	Remarks	Ref. No.	Part No.	Description	Quantity	Material	Remarks
R539	1-249-424-11	CARBON	3.9K	5%	1/4W F (EXCEPT US,CND)	R692	1-215-888-00	METAL OXIDE	220	5%	2W (US,CND)
R540	1-247-881-00	CARBON	120K	5%	1/4W	R692	1-216-453-00	METAL OXIDE	270	5%	2W (EXCEPT US,CND)
R541	1-249-431-11	CARBON	15K	5%	1/4W	R701	1-249-417-11	CARBON	1K	5%	1/4W F
R573	1-249-437-11	CARBON	47K	5%	1/4W	R702	1-249-439-11	CARBON	68K	5%	1/4W
R601	1-249-417-11	CARBON	1K	5%	1/4W F	R703	1-249-414-11	CARBON	560	5%	1/4W F
R602	1-249-439-11	CARBON	68K	5%	1/4W	R704	1-249-439-11	CARBON	68K	5%	1/4W
R603	1-249-414-11	CARBON	560	5%	1/4W F	R705	1-249-441-11	CARBON	100K	5%	1/4W
R604	1-249-439-11	CARBON	68K	5%	1/4W	R710	1-249-421-11	CARBON	2.2K	5%	1/4W F
R610	1-249-421-11	CARBON	2.2K	5%	1/4W F	R711	1-249-440-11	CARBON	82K	5%	1/4W
R611	1-249-440-11	CARBON	82K	5%	1/4W	R713	1-249-414-11	CARBON	560	5%	1/4W F
R613	1-249-414-11	CARBON	560	5%	1/4W F	△ R714	1-249-408-11	CARBON	180	5%	1/4W F
△ R614	1-249-408-11	CARBON	180	5%	1/4W F	△ R715	1-249-408-11	CARBON	180	5%	1/4W F
△ R615	1-249-408-11	CARBON	180	5%	1/4W F	△ R716	1-234-182-11	ENCAPSULATED COMPONENT			
△ R616	1-234-182-11	ENCAPSULATED COMPONENT				△ R717	1-249-393-11	CARBON	10	5%	1/4W F
△ R617	1-249-393-11	CARBON	10	5%	1/4W F	△ R718	1-249-386-11	CARBON	2.7	5%	1/6W F
△ R618	1-249-386-11	CARBON	2.7	5%	1/6W F	R719	1-249-425-11	CARBON	4.7K	5%	1/4W F
R620	1-249-425-11	CARBON	4.7K	5%	1/4W F	R721	1-247-850-11	CARBON	6.2K	5%	1/4W
R621	1-247-850-11	CARBON	6.2K	5%	1/4W	R722	1-249-419-11	CARBON	1.5K	5%	1/4W F
R622	1-249-419-11	CARBON	1.5K	5%	1/4W F	R723	1-249-437-11	CARBON	47K	5%	1/4W
R623	1-249-437-11	CARBON	47K	5%	1/4W	R724	1-247-881-00	CARBON	120K	5%	1/4W
R625	1-247-881-00	CARBON	120K	5%	1/4W	R727	1-249-433-11	CARBON	22K	5%	1/4W
R626	1-249-431-11	CARBON	15K	5%	1/4W	R730	1-249-425-11	CARBON	4.7K	5%	1/4W F
R630	1-249-425-11	CARBON	4.7K	5%	1/4W F	R731	1-249-425-11	CARBON	4.7K	5%	1/4W F
R631	1-249-425-11	CARBON	4.7K	5%	1/4W F	△ R732	1-249-381-11	CARBON	1	5%	1/4W F
R638	1-247-881-00	CARBON	120K	5%	1/4W	△ R733	1-249-381-11	CARBON	1	5%	1/4W F
R651	1-249-417-11	CARBON	1K	5%	1/4W F	R735	1-249-427-11	CARBON	6.8K	5%	1/4W F
R652	1-249-439-11	CARBON	68K	5%	1/4W	R736	1-249-417-11	CARBON	1K	5%	1/4W F
R653	1-249-414-11	CARBON	560	5%	1/4W F	R737	1-249-436-11	CARBON	39K	5%	1/4W
R654	1-249-439-11	CARBON	68K	5%	1/4W	R738	1-247-881-00	CARBON	120K	5%	1/4W
R660	1-249-421-11	CARBON	2.2K	5%	1/4W F	R739	1-249-431-11	CARBON	15K	5%	1/4W
R661	1-249-440-11	CARBON	82K	5%	1/4W	R740	1-247-866-11	CARBON	30K	5%	1/4W
R663	1-249-414-11	CARBON	560	5%	1/4W F	R743	1-249-433-11	CARBON	22K	5%	1/4W
△ R664	1-249-408-11	CARBON	180	5%	1/4W F	R744	1-249-431-11	CARBON	15K	5%	1/4W
△ R665	1-249-408-11	CARBON	180	5%	1/4W F	R745	1-249-422-11	CARBON	2.7K	5%	1/4W F (US,CND)
△ R666	1-234-182-11	ENCAPSULATED COMPONENT				R745	1-249-424-11	CARBON	3.9K	5%	1/4W F (EXCEPT US,CND)
△ R667	1-249-393-11	CARBON	10	5%	1/4W F	R746	1-249-433-11	CARBON	22K	5%	1/4W
△ R668	1-249-386-11	CARBON	2.7	5%	1/6W F	R747	1-249-433-11	CARBON	22K	5%	1/4W
R670	1-249-425-11	CARBON	4.7K	5%	1/4W F	R748	1-249-437-11	CARBON	47K	5%	1/4W
R671	1-247-850-11	CARBON	6.2K	5%	1/4W	R751	1-249-417-11	CARBON	1K	5%	1/4W F
R672	1-249-419-11	CARBON	1.5K	5%	1/4W F	R752	1-249-439-11	CARBON	68K	5%	1/4W
R674	1-247-866-11	CARBON	30K	5%	1/4W	R753	1-249-414-11	CARBON	560	5%	1/4W F
R675	1-249-422-11	CARBON	2.7K	5%	1/4W F (US,CND)	R754	1-249-439-11	CARBON	68K	5%	1/4W
R675	1-249-424-11	CARBON	3.9K	5%	1/4W F (EXCEPT US,CND)	R760	1-249-421-11	CARBON	2.2K	5%	1/4W F
R676	1-249-431-11	CARBON	15K	5%	1/4W	R761	1-249-440-11	CARBON	82K	5%	1/4W
R677	1-249-433-11	CARBON	22K	5%	1/4W	R763	1-249-414-11	CARBON	560	5%	1/4W F
R678	1-249-433-11	CARBON	22K	5%	1/4W	△ R764	1-249-408-11	CARBON	180	5%	1/4W F
R683	1-249-437-11	CARBON	47K	5%	1/4W	△ R765	1-249-408-11	CARBON	180	5%	1/4W F
R684	1-249-431-11	CARBON	15K	5%	1/4W	△ R766	1-234-182-11	ENCAPSULATED COMPONENT			
R691	1-215-888-00	METAL OXIDE	220	5%	2W (US,CND)	△ R767	1-249-393-11	CARBON	10	5%	1/4W F
R691	1-216-453-00	METAL OXIDE	270	5%	2W (EXCEPT US,CND)	△ R768	1-249-386-11	CARBON	2.7	5%	1/6W F

<p>The components identified by mark △ or dotted line with mark △ are critical for safety. Replace only with part number specified.</p>	<p>Les composants identifiés par une marque △ sont critiques pour la sécurité. Ne les remplacer que par une pièce portant le numéro spécifié.</p>	<p>以阴影和 △标志来识别的零部件，在安全方面具有关键性。因此只能以规定号码的零部件来更换。</p>
---	---	---



**STANDBY**      **VIDEO**

Ref. No.	Part No.	Description	Remarks
D914	8-719-991-33	DIODE 1SS133T-77 (US,CND)	
D914	8-719-911-19	DIODE 1SS133T-72 (EXCEPT US,CND)	
D915	8-719-991-33	DIODE 1SS133T-77 (US,CND)	
D915	8-719-911-19	DIODE 1SS133T-72 (EXCEPT US,CND)	
< FUSE >			
△ F901	1-533-454-11	FUSE, GLASS TUBE(DIA.5)(6.3A/125V)	(US,CND,MX)
△ F901	1-532-464-51	FUSE (T2.5AL/250V)(EXCEPT US,CND,MX)	
< IC >			
IC950	8-759-333-83	IC NJM2103D	
< TRANSISTOR >			
Q901	8-729-119-79	TRANSISTOR 2SC2785TP-FEK	
Q951	8-729-045-21	TRANSISTOR 2SD1513TP-LK	
< RESISTOR >			
△ R901	1-202-725-00	SOLID 3.3M 10%	1/2W (US,CND)
R902	1-249-437-11	CARBON 47K 5%	1/4W
R903	1-249-425-11	CARBON 4.7K 5%	1/4W F
R950	1-249-421-11	CARBON 2.2K 5%	1/4W F
R951	1-249-428-11	CARBON 8.2K 5%	1/4W F
R952	1-249-422-11	CARBON 2.7K 5%	1/4W F
R953	1-249-433-11	CARBON 22K 5%	1/4W
R954	1-249-437-11	CARBON 47K 5%	1/4W
R955	1-249-429-11	CARBON 10K 5%	1/4W
R956	1-247-843-11	CARBON 3.3K 5%	1/4W
R957	1-249-417-11	CARBON 1K 5%	1/4W F
R960	1-249-431-11	CARBON 15K 5%	1/4W
< RELAY >			
RY901	1-755-298-11	RELAY	
RY901	1-755-276-11	RELAY, POWER (AEP,UK,AUS,CH,AR)	
< TRANSFORMER >			
△ T902	1-435-436-11	TRANSFORMER, POWER (US,CND,MX)	
△ T902	1-435-282-11	TRANSFORMER, POWER (EXCEPT US,CND,MX)	
*****			
	1-681-428-11	VIDEO BOARD	*****
< CAPACITOR >			
C1602	1-164-159-11	CERAMIC 0.1uF	50V
C1603	1-126-964-11	ELECT 10uF	20.00% 50V
C1604	1-164-159-11	CERAMIC 0.1uF	50V
C1605	1-128-805-11	CERAMIC 47PF	5% 50V
C1606	1-128-805-11	CERAMIC 47PF	5% 50V
C1607	1-126-960-11	ELECT 1uF	20.00% 50V
C1608	1-126-960-11	ELECT 1uF	20.00% 50V
C1609	1-126-960-11	ELECT 1uF	20.00% 50V
C1611	1-126-965-11	ELECT 22uF	20.00% 50V
C1612	1-126-964-11	ELECT 10uF	20.00% 50V

Ref. No.	Part No.	Description	Remarks
< CONNECTOR >			
CNP911	1-784-925-11	PIN, CONNECTOR 10P	
CNS107	1-691-765-11	PLUG (MICRO CONNECTOR) 3P	
CNS500	1-564-506-11	PLUG, CONNECTOR 3P	
< IC >			
IC1014	8-759-701-65	IC NJM79M05FA	
IC1015	8-759-333-84	IC NJM2279D	
< JACK >			
J1004	1-695-317-11	JACK, PIN 2P	(VIDEO OUT(MONITOR),VIDEO IN(VIDEO))
J1006	1-766-199-11	JACK, PIN 3P	(VIDEO OUT(MONITOR),VIDEO IN(DVD/LD),VIDEO IN(TV/SAT))
< RESISTOR >			
R1601	1-247-804-11	CARBON 75	5% 1/4W
R1602	1-247-804-11	CARBON 75	5% 1/4W
R1603	1-247-804-11	CARBON 75	5% 1/4W
R1604	1-247-804-11	CARBON 75	5% 1/4W
R1605	1-247-804-11	CARBON 75	5% 1/4W
*****			
MISCELLANEOUS			
*****			
58	1-773-001-11	WIRE (FLAT TYPE) (15 CORE)	
61	1-693-407-21	TUNER (US,CND,E,MX,BR,AR)	
61	1-693-408-41	TUNER (AEP,UK,AUS,CH)	
△ 67	1-696-847-11	CORD, POWER (AUS)	
△ 67	1-777-071-21	CORD, POWER (AEP,UK)	
△ 67	1-783-205-11	CORD, POWER (CH)	
△ 67	1-783-820-11	CORD, POWER (US,CND,E)	
△ 67	1-783-941-11	CORD, POWER (AR)	
△ 68	1-770-019-11	ADAPTOR, CONVERSION PLUG 3P (UK)	
71	1-500-386-11	FILTER, CLAMP (FERRITE CORE)	(AEP,UK,AUS,CH)
△ T901	1-435-312-11	TRANSFORMER, POWER (CND)	
△ T901	1-435-313-11	TRANSFORMER, POWER (US)	
△ T901	1-435-908-11	POWER TRANSFORMER (AEP,UK,CH)	
△ T901	1-435-909-11	POWER TRANSFORMER (E)	
△ T901	1-435-910-11	POWER TRANSFORMER (AUS)	
	1-501-721-11	ANTENNA (LOOP)(UK,AUS)	

The components identified by mark △ or dotted line with mark △ are critical for safety. Replace only with part number specified.	Les composants identifiés par une marque △ sont critiques pour la sécurité. Ne les remplacer que par une pièce portant le numéro spécifié.	以阴影和 △ 标志来识别的零部件，在安全方面具有关键性。因此只能以规定号码的零部件来更换。
--	--	---

<u>Ref. No.</u>	<u>Part No.</u>	<u>Description</u>	<u>Remarks</u>
		ACCESSORIES & PACKING MATERIALS *****	
	1-476-552-11	REMOTE COMMANDER (RM-U305)	
	1-501-374-11	ANTENNA, LOOP (AM)	
	1-501-594-11	ANTENNA (FM) (AEP,UK,AUS,CH)	
	1-793-184-21	CONNECTOR (F TYPE ADAPTOR) (US,CND,E,MX,BR,AR)	
	4-233-503-11	INSTRUCTION MANUAL (US,CND,AUS,CH)(ENGLISH)	
	4-233-503-21	INSTRUCTION MANUAL (CND)(FRENCH)	
	4-233-503-41	INSTRUCTION MANUAL (CH)(CHINESE)	
	4-233-503-51	INSTRUCTION MANUAL (AEP,UK)(ENGLISH,SWEDISH,FRENCH,DUTCH)	
	4-233-503-61	INSTRUCTION MANUAL (AEP)(GERMAN,POLISH,SPANISH,ITALIAN)	
	4-233-503-71	INSTRUCTION MANUAL (MX,AR)(SPANISH)	
	4-228-696-01	COVER, BATTERY (FOR RM-U305)	

